

Datasheet

oToBrite Electronics, Inc



oToCAM165

1. General Description

The oToCAM165 is an automotive grade camera, using high sensitive 1/3.8" CMOS sensor. The interface of the camera is TVI that the signal output is analog but image resolution is up to HD. Due to the lens HFOV is about 120 degree, the camera is suitable for the application of autonomous driving and DVR

2. Product specification

No.	Item	Specification
1	Image sensor	CMOS (OV9716)
2	Number of pixels	Mega-pixel 1280(H) x 720(V)
3	View angle(H/V)	122.5° / 72.7°
4	Resolution(Center/Corner)	Center ≥ 430 / Corner ≥ 360 TV Line
5	Shutter	Rolling Shutter
6	Output Interface	TVI/Differential
7	Image Sensor Processor	TP3820
8	Lens F No.	F2.0
9	Operating Voltage (Typical)	6V
10	Frame rate	30 fps (default setting)
11	Exposure Control	Auto Exposure Control (internal ISP)
12	Power Consumption	0.75W(Typically)
13	Operating Temperature	-40°C ~ +85°C
14	Dust & Waterproof	Camera : IP6X / Connector : IP67
15	Dimension(mm)	23 x 23 x 32.3 (w/o Bracket)
16	Weight	36 g (including cable)

3. Outline Drawing

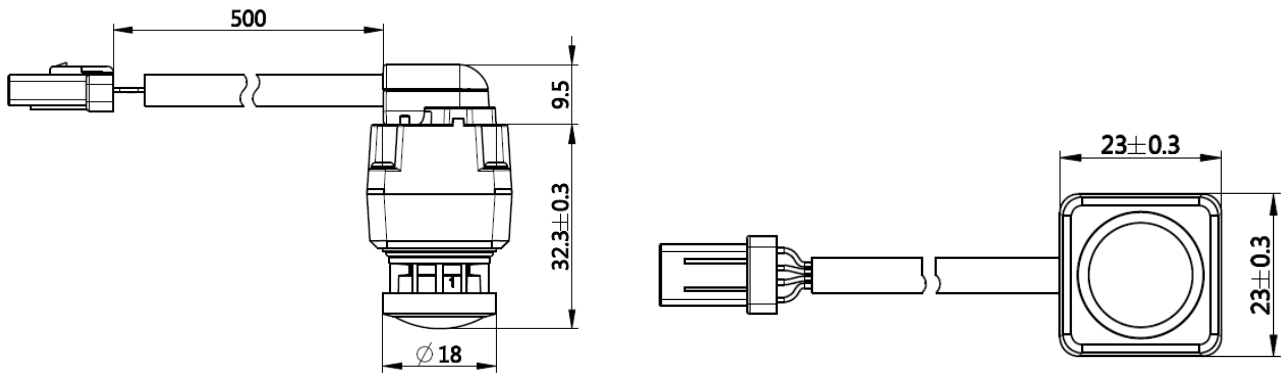


Figure 1. oToCAM165 Diagram

4. Cables and Connectors (Male and Female)

4.1 Connector

Hu Lane(胡連) connector 303404004AAW ; Counterpart 303304004AAW

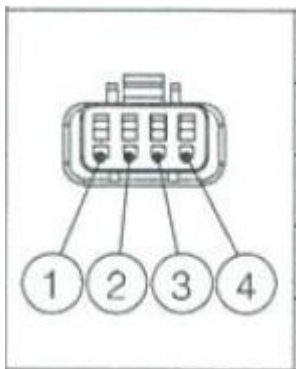


Figure 2A.

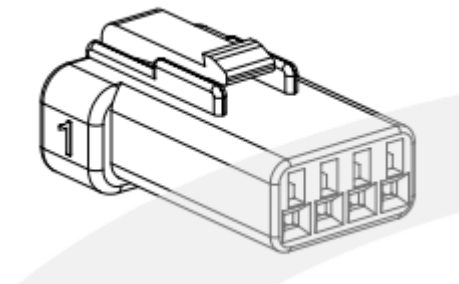


Figure 2B. (303404004AAW)

4.2 Pin definition

PIN	COLOR	PIN DEF.
1	WHITE	VIDEO -
2	YELLOW	VIDEO +
3	BLACK	POWER GND
4	RED	POWER

Figure 2C. Pin Definition