

# Datasheet

oToBrite Electronics, Inc



oToCAM162



## 1. General Description

The oToCAM162 is an automotive grade camera, using high sensitive CMOS sensor. The interface of the camera is TVI that the signal output is analog but image resolution is up to HD. Due to the lens HFOV is over 180 degree, the camera is suitable for the application of reverse parking and around view monitoring system.

## 2. Product specification

No.	Item	Specification
1	Image sensor	CMOS (ISX019)
2	Number of pixels	Mega-pixel 1280(H) x 800(V)
3	View angle(H/V)	189° / 131°
4	Resolution(Center/Corner)	Center $\geq$ 550; Corner 0.7F $\geq$ 440
5	Shutter	Rolling Shutter
6	Output Interface	TVI/Differential
7	Image Sensor Processor	TP2912B
8	Lens F No.	F2.0
9	Operating Voltage (Typical)	6V
10	Frame rate	30 fps (default setting)
11	Exposure Control	Auto Exposure Control (internal ISP)
12	Power Consumption	0.73W (Typically)
13	Operating Temperature	-40°C ~ +85°C
14	Dust & Waterproof	Camera : IP69K / Connector : IP67
15	Dimension(mm)	23 x 23 x 28.2 (w/o Bracket)
16	Weight	26 g (excluding cable)

### 3. Outline Drawing

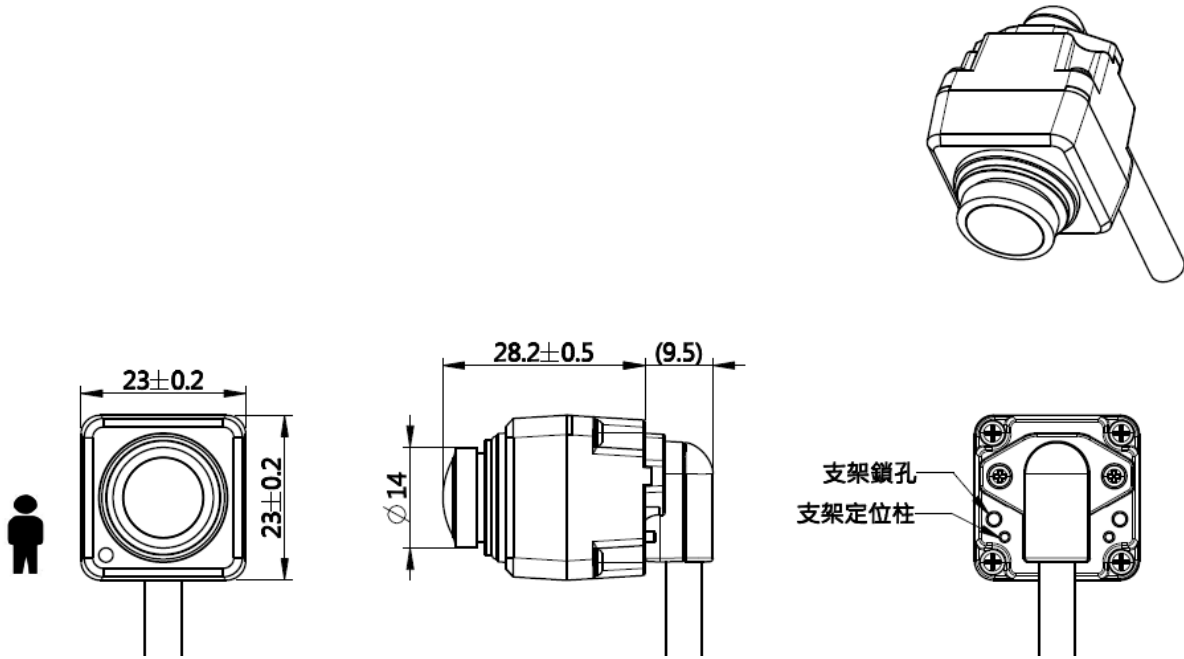
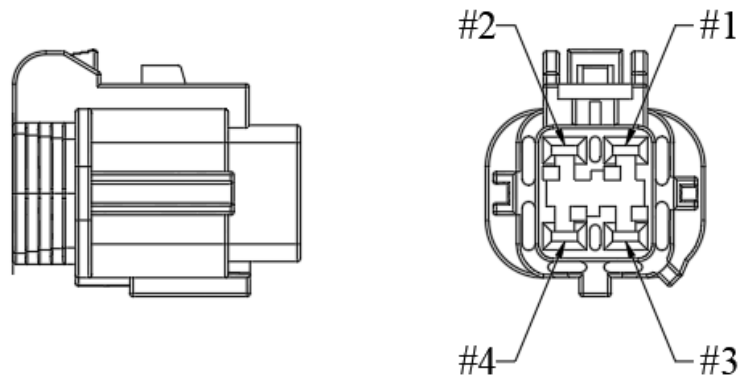


Figure 1. oToCAM162 Diagram

### 4. Cables and Connectors (Male and Female)

#### 4.1 Connector



Hu-lane RS04FGY

#### 4.2 Pin definition

Pin	Color	Pin Def.
1	Red	Power
2	Black	GND
3	Yellow	Video+
4	White	Video-