

Overview

oToAdapter-GMSL-AGX-Orin is an automotive-grade multi-channel GMSL2 camera adapter that connects up to 8 GMSL2 cameras to the NVIDIA® AGX Orin™ Developer Kit. Integrating the ADI/MAXIM MAX96724 deserializer, the adapter supports multi-camera synchronization, wide-range power input, and automotive temperature operation, enabling rapid development for autonomous driving, unmanned vehicles, and robotics applications.



oToAdapter-GMSL-AGX-Orin

Product key features

- The quickest and most compatible way to get started with NVIDIA Jetson developer kits
- Plug and play to support all oToBrite GMSL cameras with pre-packaged NVIDIA JetPack
- Well-designed bracket for early autonomous driving & robotics development
- Supports external or internal (by default) frame synchronization for multi-camera applications

Specifications

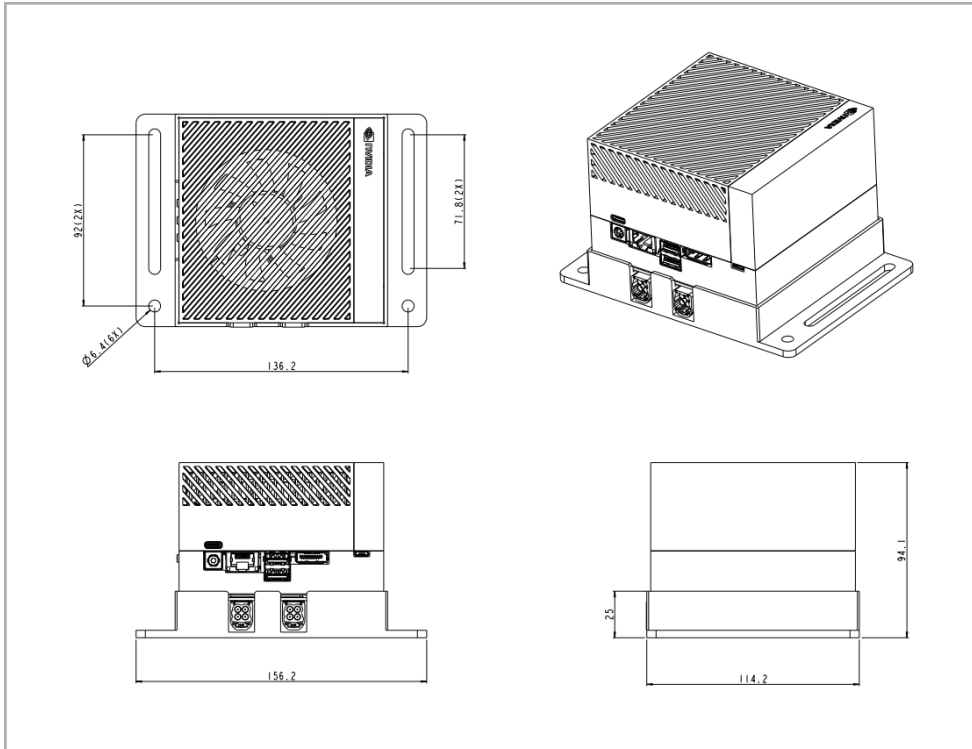
Item	Specifications
Deserializer	MAXIM(ADI) MAX96724
GMSL input interface	Up to 8 GMSL2 cameras with FAKRA connectors (Amphoral Z code)
MIPI output interface	1x High-Speed Ground Plane Terminal Strip connector (120pin)for the NVIDIA AGX Orin board
GPIO	TBD
Frame sync	Support frame sync either via external input signals or internal GPIO
Power supply	12V ~ 20V
Power in interface	2.5mm DC Jack
Power out	TBD
Operating temperature	0°C ~ +35°C (with NVIDIA Developer Kit)
Storage temperature	0°C ~ +35°C (with NVIDIA Developer Kit)
Dimension	156.2 x 114.2 x 94.1 (mm, with case)
Weight	1,245g (with case)

Accessories

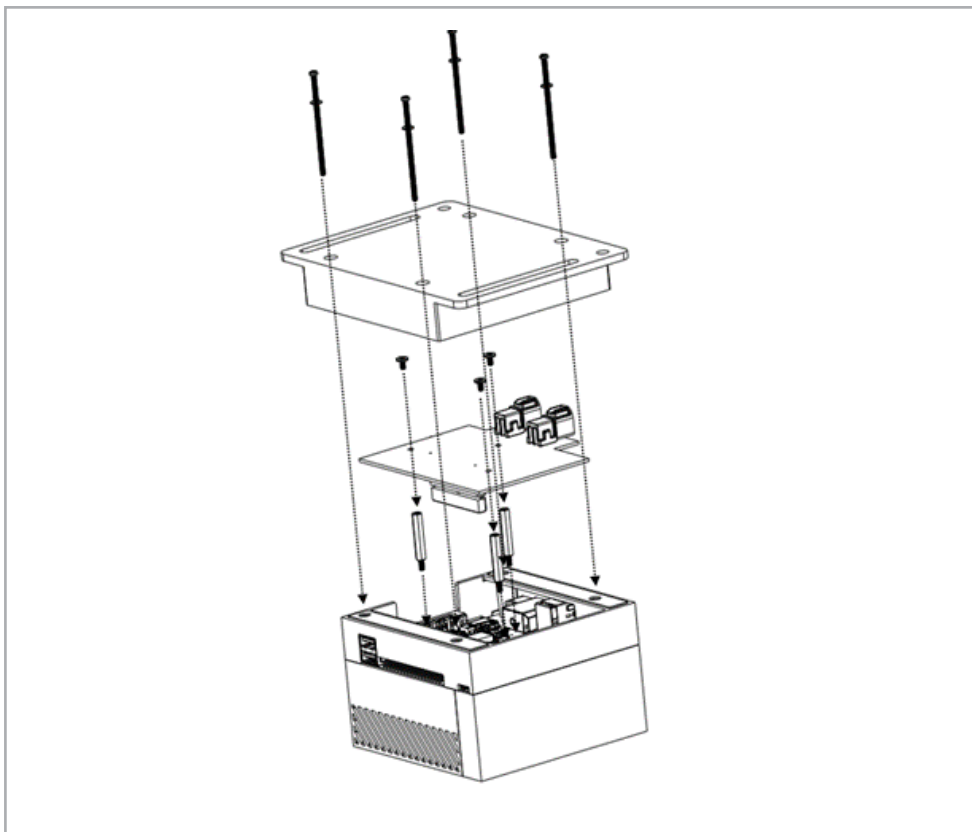
Item	Specifications
1 x Power adapter	<ul style="list-style-type: none">• Input: 90~264 VAC• Output: 15V, 5.5 x 2.5mm (Max. 40W)• Length: 1M
2 x GMSL Mini Fakra 1-to-4 cable	<ul style="list-style-type: none">• Connector: Male to Female• Color: Z-code• Length: 0.4M
1 x NVIDIA® Jetson AGX Orin™ Developer Kit	<ul style="list-style-type: none">• Original full package included• Original full package included Pre-packaged NVIDIA JetPack 6.2 with sensor driver to support oToCAM GMSL cameras directly

oToAdapter-GMSL-AGX-Orin Outline Drawing

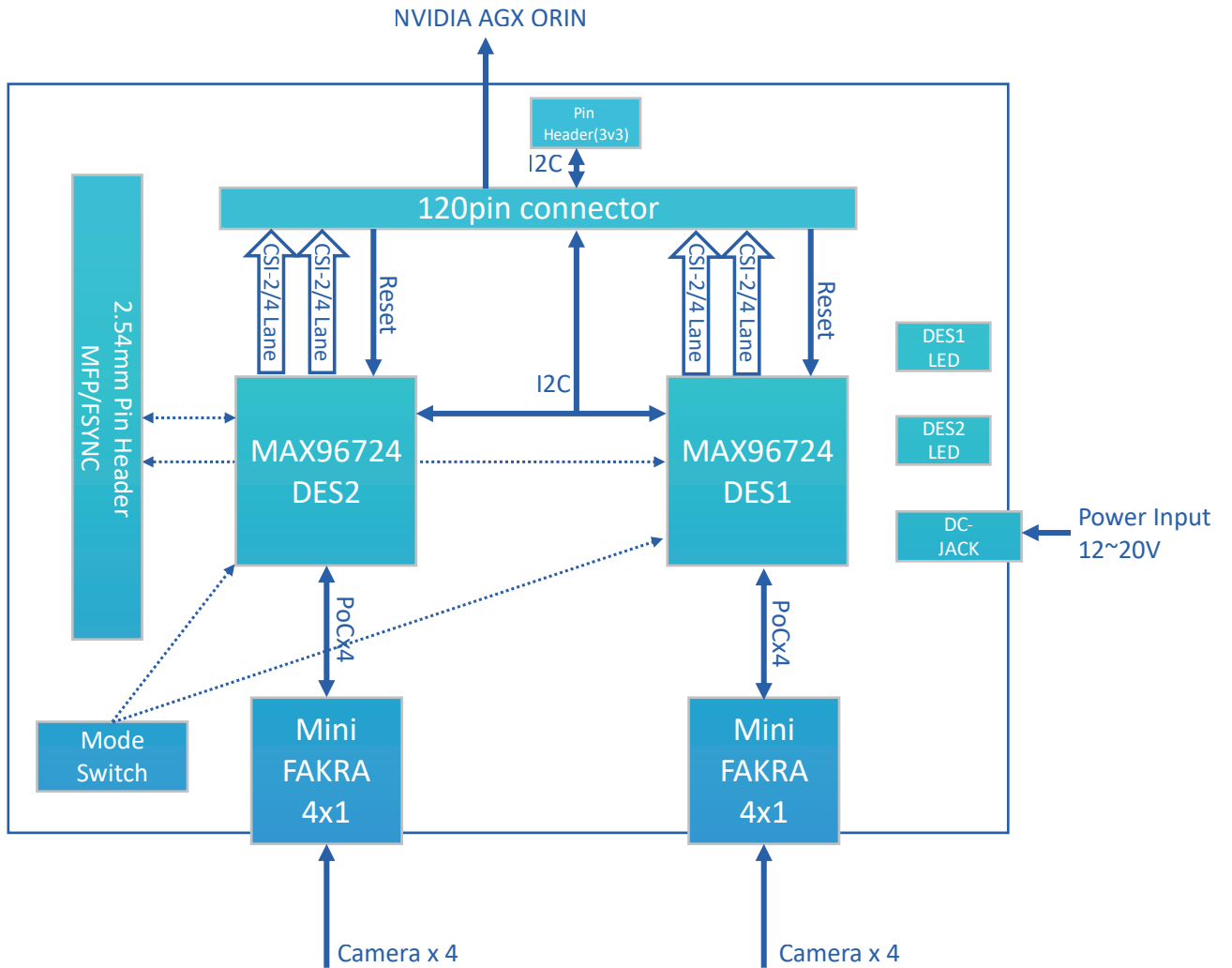
- Mechanical Dimension Drawing



- Exploded Diagram



oToAdapter-GMSL-AGX-Orin Hardware Diagram



driving easier and safer



9F-2, No. 8, Keyan Rd., East Dist., Science-Based Industrial Park,
Hsinchu, Taiwan (R.O.C.)

| +886-(0)3-666-7968

| sales@otobrite.com

| www.otobrite.com