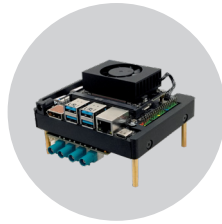


Overview

The oToAdapter-GMSL-Orin-Nano is an automotive-grade GMSL2 camera adapter that connects up to 4 GMSL2 cameras to the NVIDIA Jetson Orin Nano Developer Kit.

Integrating the ADI/MAXIM MAX96724 deserializer, the adapter supports multi-camera synchronization, wide-range power input, and automotive-temperature operation, enabling rapid development for autonomous driving, unmanned vehicles, and robotics applications.



oToAdapter-GMSL-Orin-Nano

Product key features

- The quickest and most compatible way to get started with NVIDIA Jetson developer kits
- Plug and play to support all oToBrite GMSL cameras with pre-packaged NVIDIA JetPack
- Well-designed bracket for early autonomous driving & robotics development
- Supports external or internal (by default) frame synchronization for multi-camera applications

Specifications

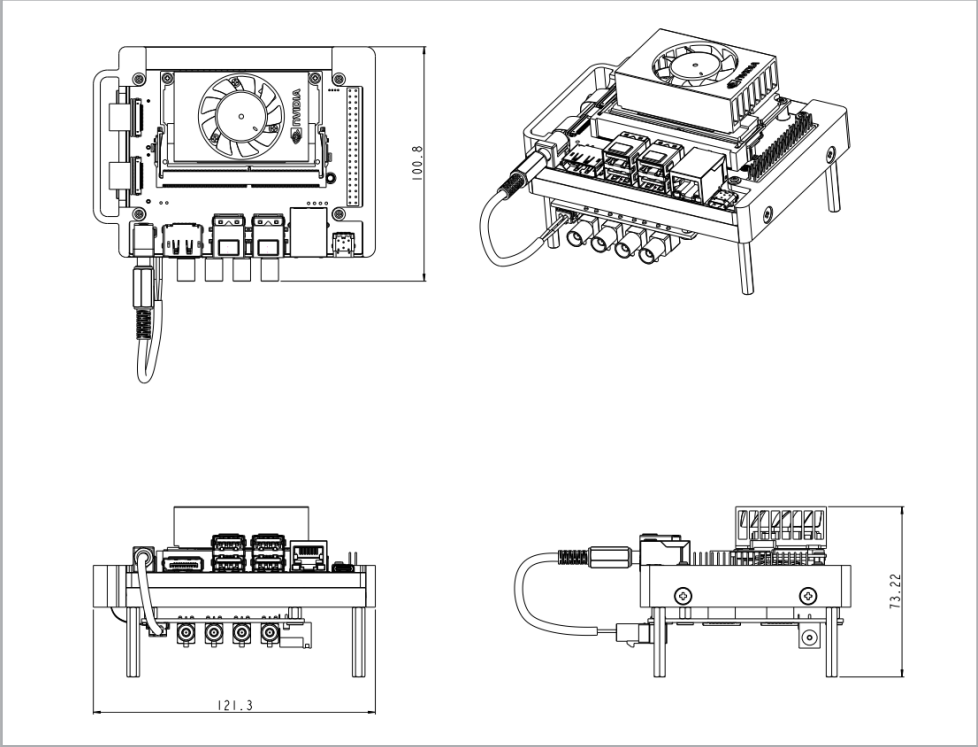
Item	Specifications
Deserializer	MAXIM(ADI) MAX96724
GMSL input interface	Up to 4 GMSL2 cameras with FAKRA connectors (Amphoral Z code)
MIPI output interface	2 × 22-Pin MIPI-CSI connector compatible with NVIDIA Jetson Orin Nano Developer Kit J20/J21
GPIO	TBD
Frame sync	Support frame sync either via external input signals or internal GPIO
Power supply	12V ~ 20V
Power in interface	2.5mm DC Jack
Power out	The same as power supply.
Operating temperature	0°C ~ +35°C (with NVIDIA Developer Kit)
Storage temperature	0°C ~ +35°C (with NVIDIA Developer Kit)
Dimension	121.3 x 100.8 x 73.22(mm)
Weight	295g (with case)

Accessories

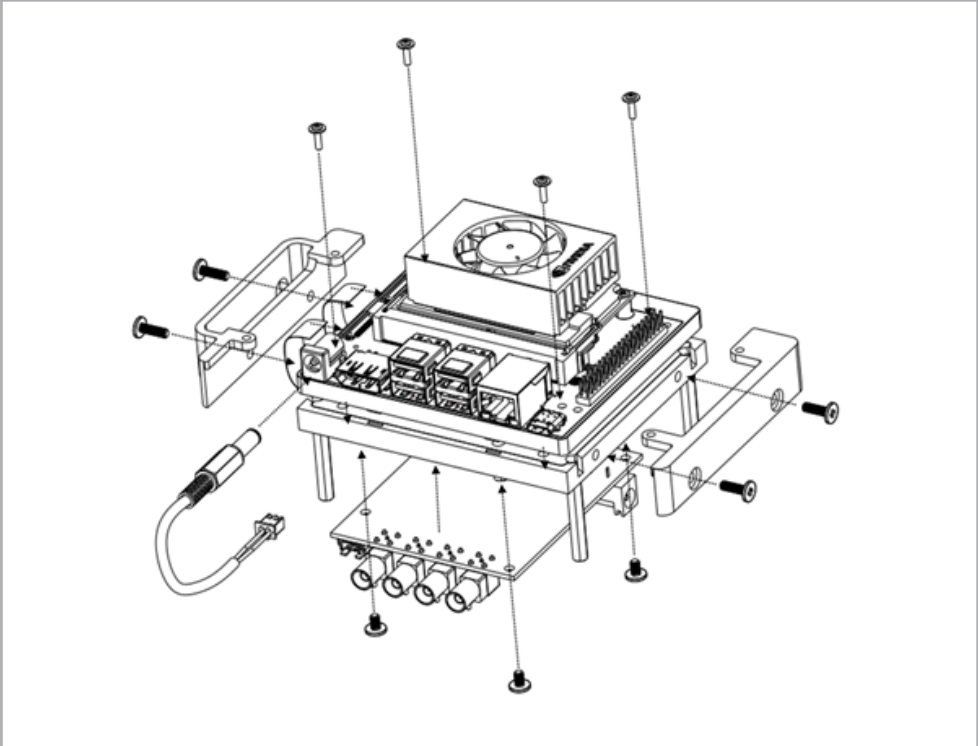
Item	Specifications
2 x 22-pin MIPI CSI FPC cable	<ul style="list-style-type: none">● Molex 0.50mm Pitch Premo-Flex FFC Jumper● Plating: gold● Same side contacts type: A● Cable length: 51.00mm
1 x Power cable	<ul style="list-style-type: none">● Input connector: 2pin header (pitch 2.54mm)● Output connector: DC Jack (Ø2.5mm)● Length: 15cm
4 x GMSL Fakra cable	<ul style="list-style-type: none">● Connector: Female to Female● Color: Z-code● Length: 0.5M
1 x MicroSD card	<ul style="list-style-type: none">● Pre-packaged NVIDIA JetPack 6.2 with sensor driver to support oToCAM GMSL cameras directly
1 x NVIDIA® Jetson Orin™ Nano Super Developer Kit	<ul style="list-style-type: none">● Original full package included

oToAdapter-GMSL-Orin-Nano Outline Drawing

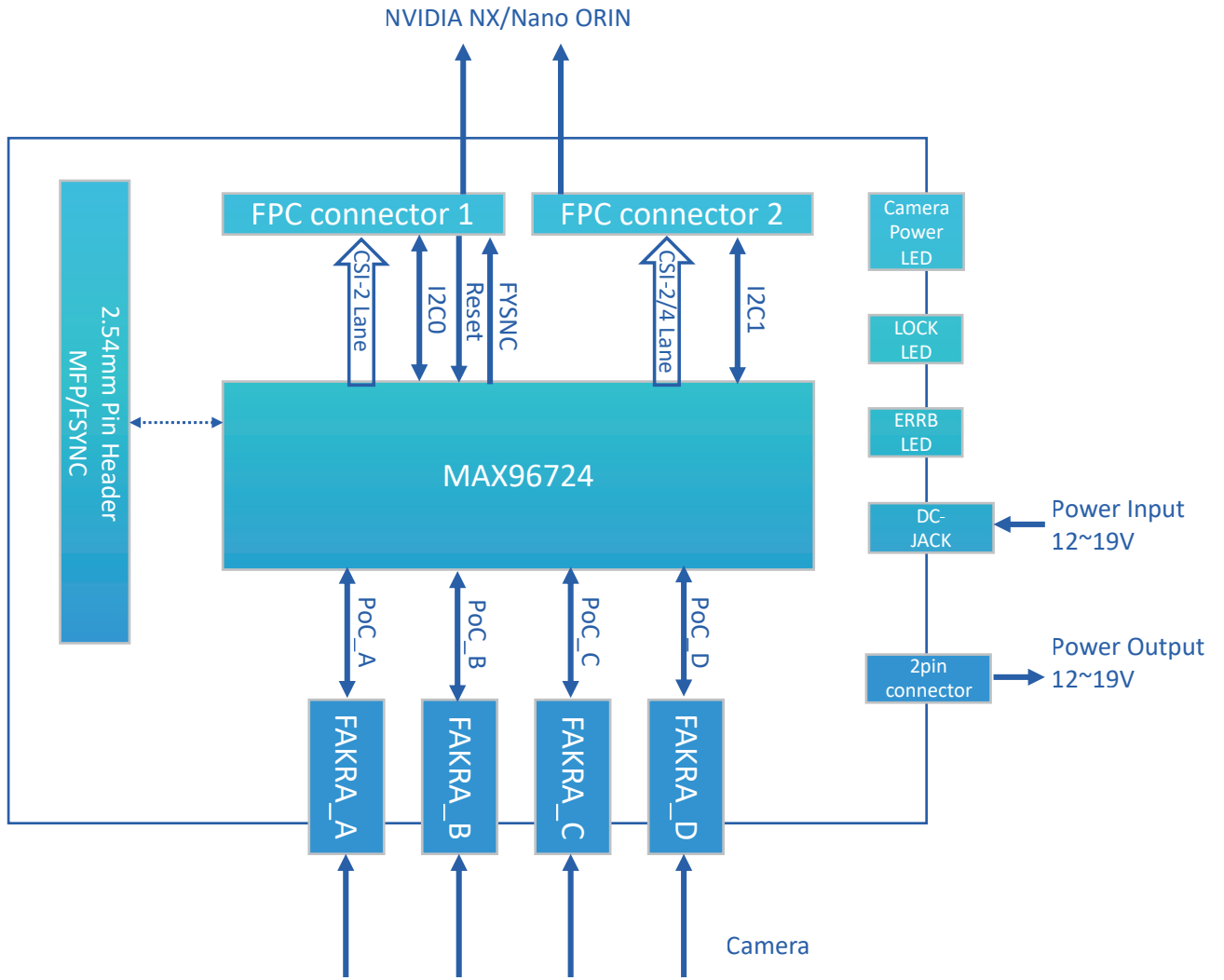
- Mechanical Dimension Drawing



- Mechanical Dimension Drawing



oToAdapter-GMSL-Orin-Nano Hardware Diagram



driving easier and safer



9F-2, No. 8, Keyan Rd., East Dist., Science-Based Industrial Park,
Hsinchu, Taiwan (R.O.C.)

| +886-(0)3-666-7968

| sales@otobrite.com

| www.otobrite.com