

oToBrite



Automotive Camera



oToCAM163 / oToCAM165 (OV9716)

Overview

The oToCAM163 and oToCAM165 are automotive-grade cameras featuring high-sensitivity 1/3.8" CMOS sensors. These cameras use a TVI interface with analog signal output and support image resolutions up to HD. The oToCAM163, with a horizontal field of view (HFOV) exceeding 180 degrees, is ideal for applications such as reverse parking assistance and around-view monitoring systems. The oToCAM165, with an HFOV of approximately 120 degrees, is well-suited for autonomous driving and DVR applications.



oToCAM163



oToCAM165

Specifications

• General Specifications

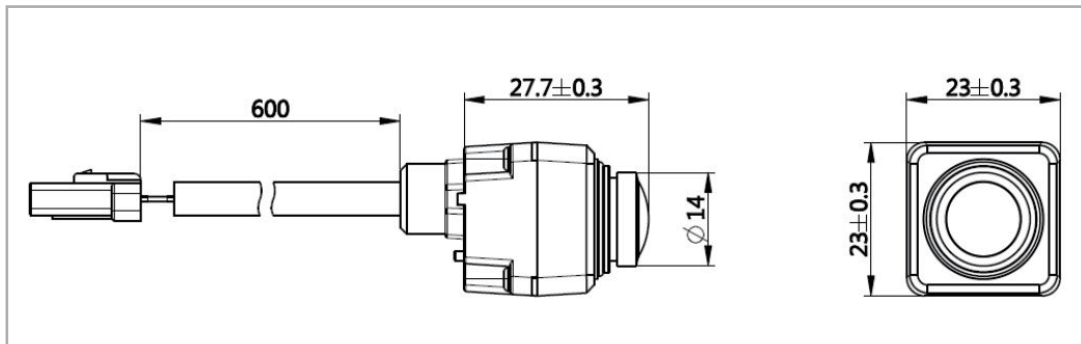
Item	Specifications
Image sensor	CMOS (OV9716)
HDR	Supported
LFM	None
ISP	Supported- TechPoint
Camera output pixel number	Mega-pixel 1280(H) x 720(V)
Shutter	Rolling shutter
Output interface	TVI/ Differential
Frame rate	30 fps (default setting)
Operating temperature	-40°C ~ +85°C
Storage temperature	-40°C ~ +95°C

• Product Specifications (by models)

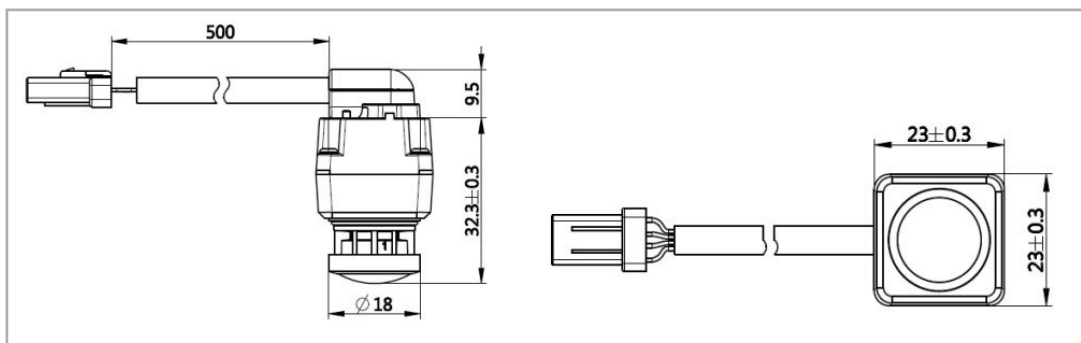
Item	oToCAM163	oToCAM165
View angle (H/V)	183.6°/ 117.6°	122.5°/ 72.7°
Lens F No.	F2.0	F2.0
Resolution	TV line Center \geq 430、Corner \geq 375	TV line Center \geq 485、Corner \geq 375
HD-TVI	TP3810	TP3820
Operating voltage (Typical)	6V, DC 5V ~ 12V	6V
Power consumption (Typical)	0.7W	0.75W
DOF/ Object distance	0.06M~inf.@50cm	0.2M~inf.@inf.
IR cut edge	650nm	650nm
Connector	Hu Lane(胡連) connector 303404004AAW	Hu Lane(胡連) connector 303404004AAW
Dust/ Waterproof	Camera: IP69K/ Connector: IP67	Camera: IP6X/ Connector: IP67
Dimensions (mm)	23 x 23 x 27.7 (w/o Bracket)	23 x 23 x 32.3 (w/o Bracket)
Weight	37.5 g (including cable)	36 g (including cable)

Outline Drawing

• oToCAM163 Mechanical Dimensions



• oToCAM165 Mechanical Dimensions



driving easier and safer



6F, No.18, Prosperity Rd.II, Science-Based Industrial Park,
Hsinchu, Taiwan, R.O.C

| +886-(0)3-666-7968

| sales@otobrite.com

| www.otobrite.com