

**oToBrite**



# Automotive Camera



oToCAM167-C103V

## Overview

The oToCAM167-C103V is the automotive-grade camera featuring high-sensitivity 1/2.7" CMOS sensors. This camera uses a TVI interface with analog signal output, and support image resolutions up to Full HD. The oToCAM167-C103V, with a HFOV of approximately 103 degrees, is well-suited for autonomous driving applications.

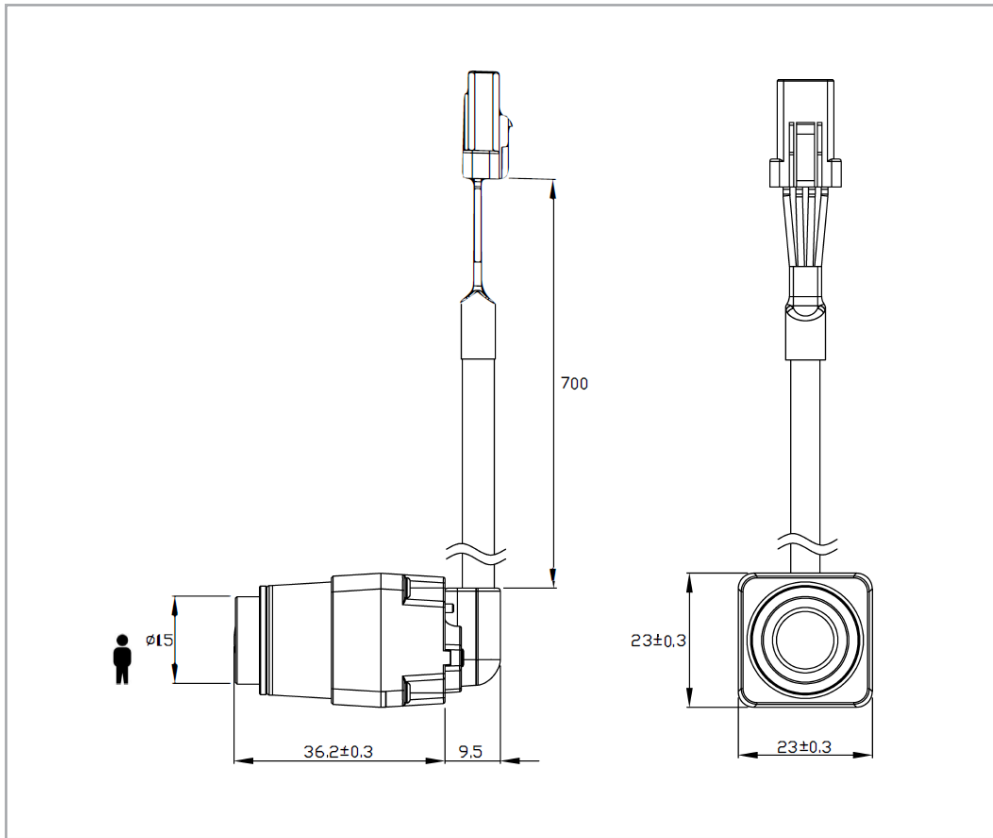
## Specifications

### • General Specifications

Item	Specifications
Image sensor	CMOS (SOI JX-A03)
HDR	Supported
LFM	None
Optical Format	1/2.7"
Pixel Size	3.0 μm (H) × 3.0 μm (V)
ISP	Supported- TechPoint
Camera number of pixels	2M, 1920(H)x1080(V) @30fps
Shutter	Rolling shutter
Output Interface	HD-TVI/ Differential
Frame rate (default)	30 fps (Default setting)
Operating Temperature	-40°C ~ +85°C
Storage temperature Range	-40°C ~ +95°C
View angle(H / V)	HFOV: 103.2° ± 5°/ VFOV 56.7° ± 5°
Lens structure	6G+IR
Lens F No.	F2.0
Resolution (Center/Corner)	Center ≥ 800 TV Line, 0.7F ≥ 750 TV Line
Encoder/ Deserializer	TP3820
Power source/ Typical	6V, DC 5V~12V
Power Consumption	0.87W±20% @6V, 25°C
DOF/ Object distance	0.9M~inf.@inf
IR Cut Edge	650nm
Connector	Hu Lane connector 303404004AAW
Dust & Waterproof	Camera: IP6X/ Connector: IP67
Dimension(mm)	23*23*45.7mm (without bracket)
Weight	47.3 g (including 70mm pigtail)

## Outline Drawing

- oToCAM167-C103V Mechanical Dimensions



*driving easier and safer*



9F-2, No. 8, Keyan Rd., East Dist., Science-Based Industrial Park,  
Hsinchu, Taiwan (R.O.C.)

| +886-(0)3-666-7968

| sales@otobrite.com

| www.otobrite.com