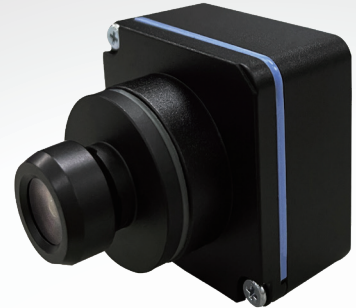


oToBrite



Automotive Camera



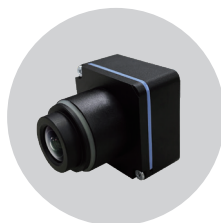
oToCAM222-T Series (ISX021)

Overview

The oToCAM222-H61T/ oToCAM222-C103T/ oToCAM222-C120T/ oToCAM222-S195T, offers reliable automotive-grade cameras designed for autonomous driving applications. These cameras use high-sensitivity CMOS sensors to provide solid image quality, effectively meeting the visual detection needs of system products.



oToCAM222-H61T



oToCAM222-C103T



oToCAM222-C120T



oToCAM222-S195T

Specifications

• General Specifications

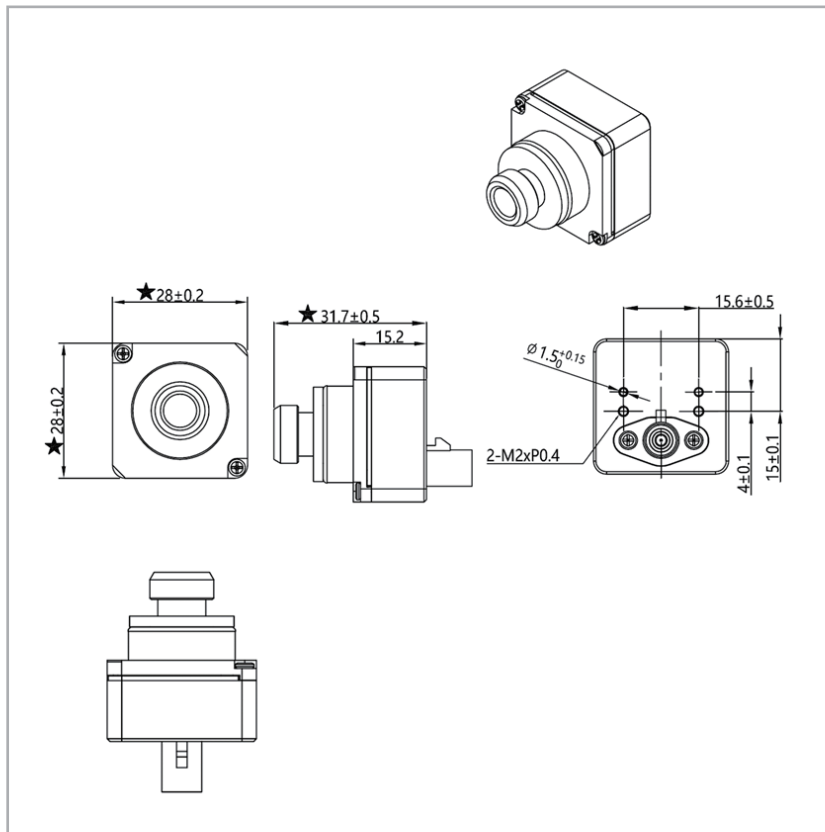
Item	Specifications
Image sensor	CMOS (Sony ISX021)
HDR	Supported
LFM	Supported
Optical format	1/2.57"
Pixel size	3.0 μm (H) \times 3.0 μm (V)
ISP	Supported (SoC sensor)
Camera output pixel number	2.46M (1920 (H) \times 1280 (V))
Color filter array	RGGB
Output interface	FPD-Link III with POC
Output formats	MIPI 4lane YUV422 8bits
S/N ratio	51.35 dB
Power source (POC)/ Typical	DC 6 ~ 12V/ 6V
Startup time of power in	Within 200ms
Frame rate	30 fps (By setting)
Serializer	TI953
Camera current consumption	\leq 110mA @12V (check 222S195T 120mA)
Connector	Goldenconn Electronic Technology Co., Ltd. 1FABN24F01PNTV00
Operating temperature	-40°C ~ +85°C
Storage temperature	-40°C ~ +95°C
Dust/ Waterproof	IP67/ IP69K

• Product Specifications (by models)

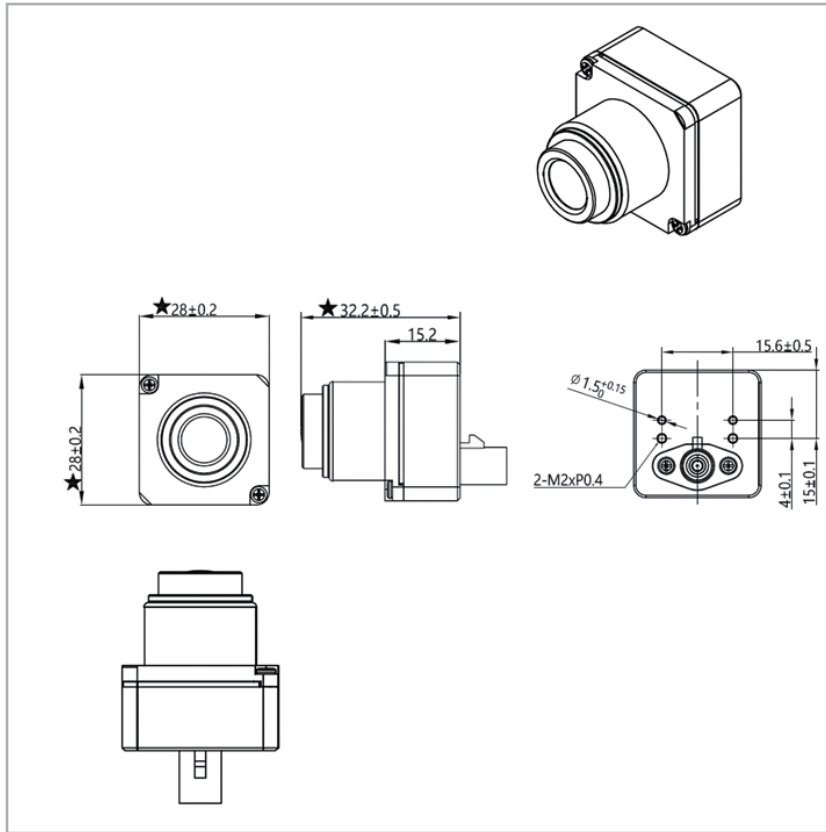
Item	oToCAM222-H61T	oToCAM222-C103T	oToCAM222-C120T	oToCAM222-S195T
View angle(H)	64°	103°	120.6°	195.9°
Lens F No.	F1.6	F2.0	F1.4	F2.0
IR cut edge	650nm	650nm	650nm	650nm
DOF/ Object distance	3.0M~inf.@Inf.	1.0M~inf.@Inf.	1.0M~inf.@Inf.	0.15M~inf.@50cm
Resolution	TBD	TBD	TBD	TBD
Dimensions	28*28*31.7 mm (exclude Fakra connector)	28*28*32.2 mm (exclude Fakra connector)	28*28*32.7 mm (exclude Fakra connector)	28*28*28.6 mm (exclude Fakra connector)
Weight	28.8g	28.8g	27.6g	29.18g

Outline Drawing

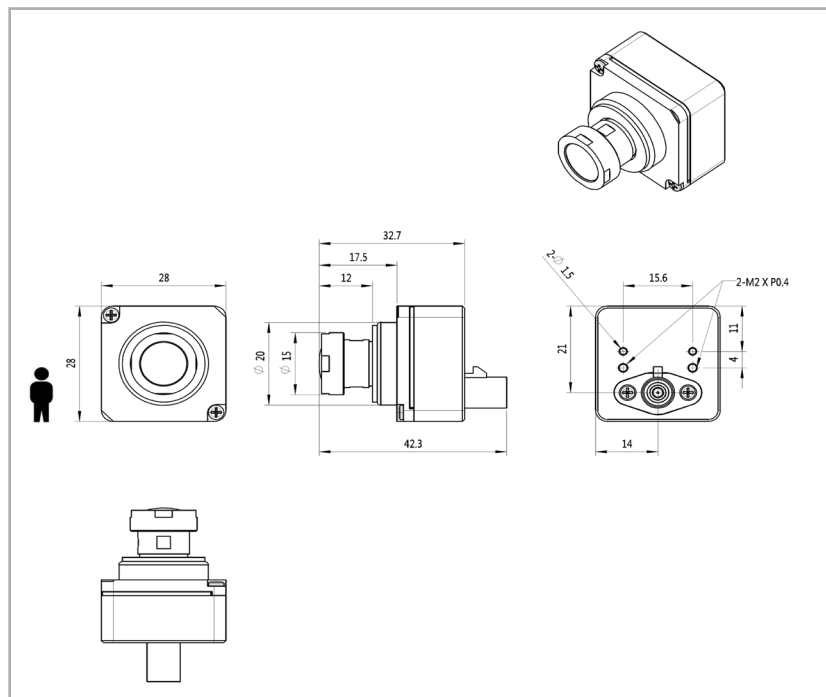
• oToCAM222-H61T Mechanical Dimensions



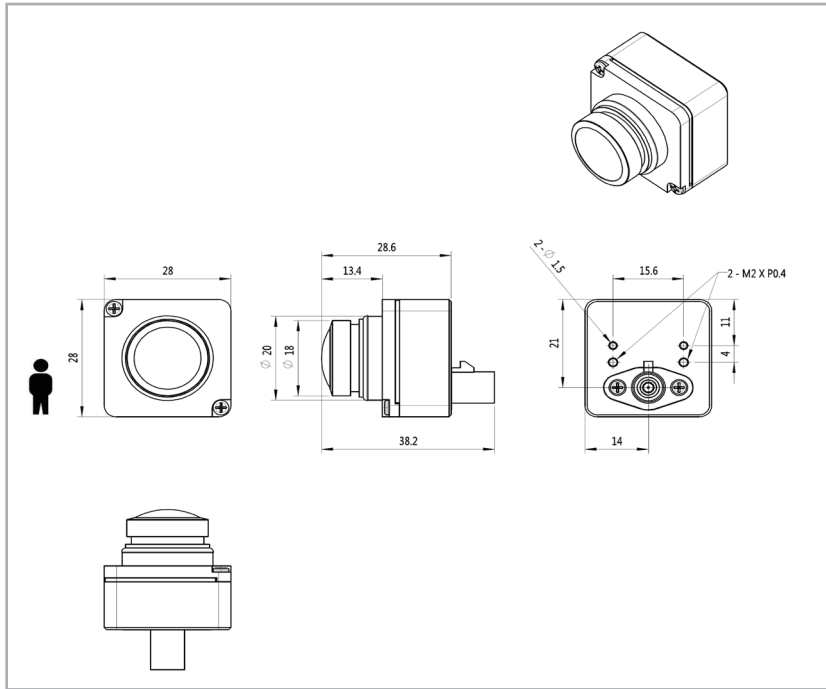
- oToCAM222-C103T Mechanical Dimensions



- oToCAM222-C120T Mechanical Dimensions



• oToCAM222-S195T Mechanical Dimensions



driving easier and safer



6F, No.18, Prosperity Rd.II, Science-Based Industrial Park,
Hsinchu, Taiwan, R.O.C

| +886-(0)3-666-7968

| sales@otobrite.com

| www.otobrite.com