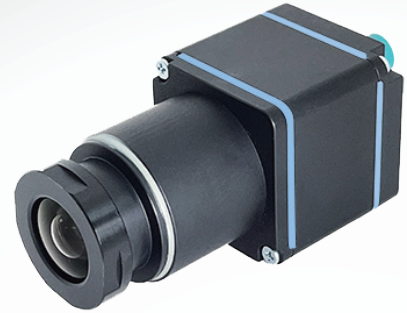


oToBrite



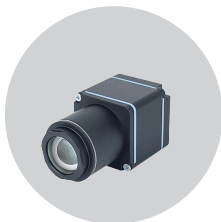
Automotive Camera



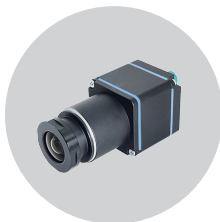
oToCAM260ISP-M Series (IMX490)

Overview

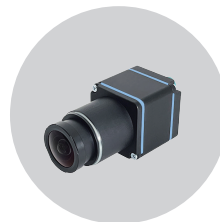
The oToCAM260ISP-C30M/ oToCAM260ISP-C62M/ oToCAM260ISP-C120M, offers reliable automotive-grade cameras designed for autonomous driving applications. These cameras use high-sensitivity CMOS sensors to provide solid image quality, effectively meeting the visual detection needs of system products.



oToCAM260ISP-C30M



oToCAM260ISP-C62M



oToCAM260ISP-C120M

Specifications

• General Specifications

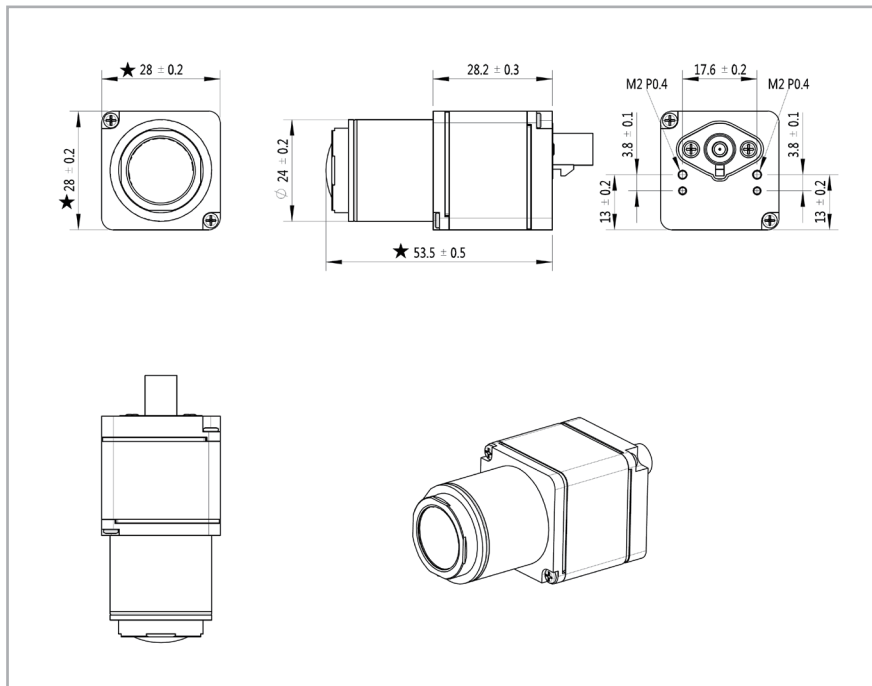
Item	Specifications
Image sensor	CMOS (Sony IMX490)
HDR	Supported
LFM	Supported
Optical format	1/1.55"
Pixel size	3.0 μ m (H) \times 3.0 μ m (V)
ISP	Yes
ISP chip	GW5300
Camera output pixel number	5.36M (2880 (H) \times 1860 (V))
Color filter array	RGGB
Output interface	GMSL2 with POC
Output formats	MIPI 4lane YUV422 8bits
S/N ratio	52.10 dB
Power source (POC)/ Typical	DC 9~12V/ 9V
Startup time of power in	Within 2000ms (SerDes & ISP initialization)
Frame rate	30 fps (By setting)
Serializer	MAX9295a
Connector	Amphenol SMB1251Y3-002-TT5GP-50
Camera current consumption	\leq 230mA @12V/ 25 $^{\circ}$ C
Operating temperature	-40 $^{\circ}$ C ~ +85 $^{\circ}$ C
Storage temperature	-40 $^{\circ}$ C ~ +95 $^{\circ}$ C
Dust/ Waterproof	IP67/ IP69K

● Product Specifications (by models)

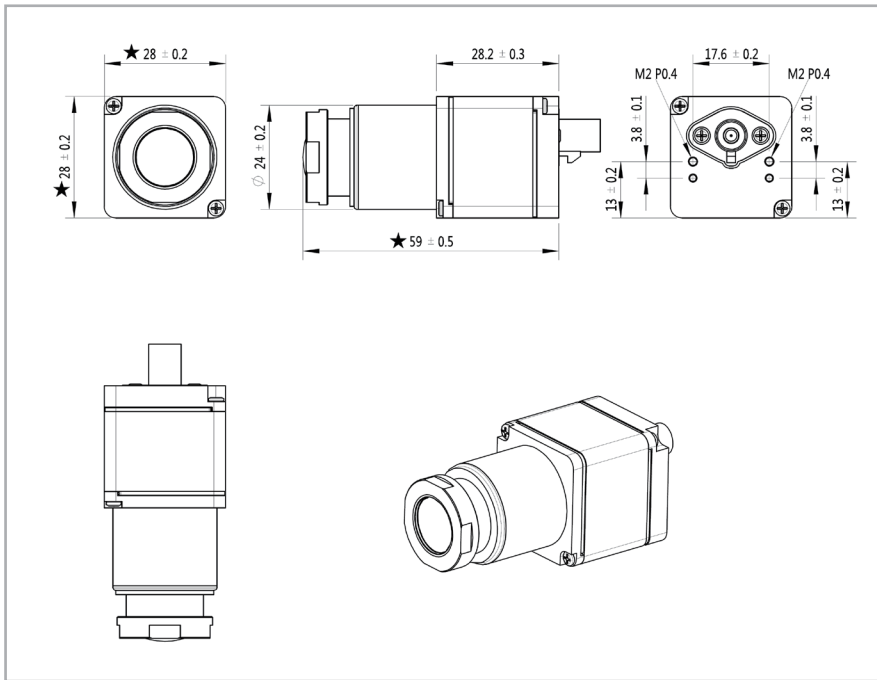
Item	oToCAM260ISP-C30M	oToCAM260ISP-C62M	oToCAM260ISP-C120M
View angle (H)	30°	62.5°	120°
Lens F No.	F1.6	F1.7	F1.6
IR cut edge	650nm	650nm	650nm
DOF/ Object distance	28.0M~inf.@inf	6.1M~inf.@inf	2.1M~inf.@inf
Resolution	TV line Center ≥ 1100 , Corner ≥ 900	TV line Center ≥ 1100 , Corner ≥ 900	TV line Center ≥ 1100 , Corner ≥ 900
Dimensions	28*28*53.5 mm (exclude FAKRA connector)	28*28*59 mm (exclude FAKRA connector)	28*28*59 mm (exclude FAKRA connector)
Weight	63.0g	63.0g	67.4g

Outline Drawing

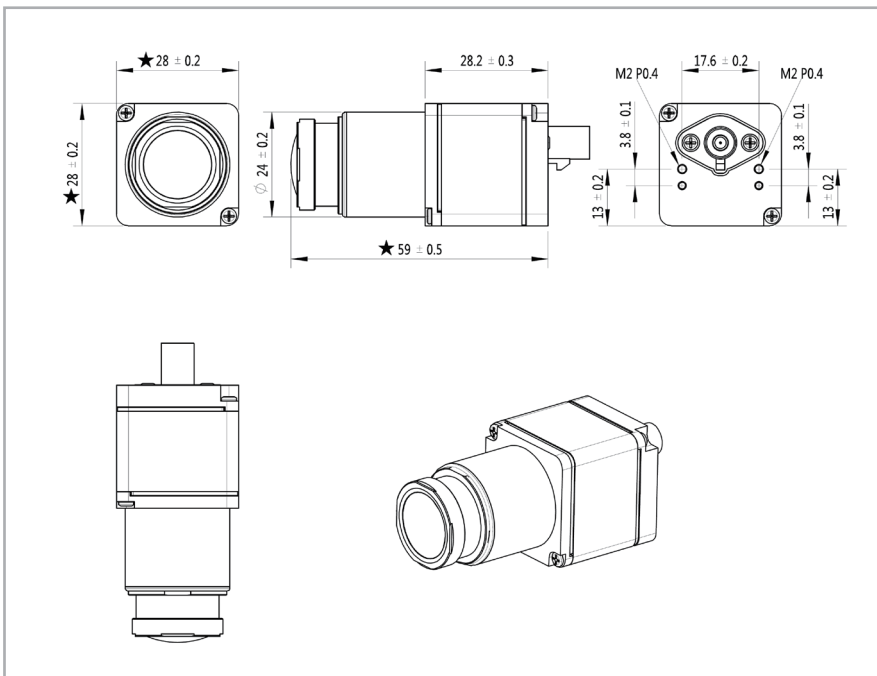
● oToCAM260ISP-C30M Mechanical Dimensions



- oToCAM260ISP-C62M Mechanical Dimensions



- oToCAM260ISP-C120M Mechanical Dimensions



driving easier and safer



6F, No.18, Prosperity Rd.II, Science-Based Industrial Park,
Hsinchu, Taiwan, R.O.C

| +886-(0)3-666-7968

| sales@otobrite.com

| www.otobrite.com