

**oToBrite**



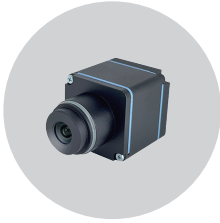
# Automotive Camera



oToCAM264-T / oToCAM220-T Series (IMX390)

## Overview

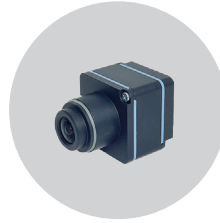
The oToCAM264-N73T, oToCAM264-C103T, oToCAM264-C120T, and oToCAM264-N186T, offers reliable automotive-grade cameras designed for autonomous driving applications. These cameras use high-sensitivity CMOS sensors to provide solid image quality, effectively meeting the visual detection needs of system products.



oToCAM264-N73T



oToCAM220-C103T



oToCAM264-C120T



oToCAM264-N186T

## Specifications

### • General Specifications

Item	Specifications
Image sensor	CMOS (Sony IMX390)
HDR	Supported
LFM	Supported
Optical format	1/2.7"
Pixel size	3.0 $\mu$ m (H) $\times$ 3.0 $\mu$ m (V)
ISP	None
Camera output pixel number	2M (1920 (H) $\times$ 1080 (V))
Color filter array	RGGB
Output interface	FPD-Link III with POC
Output formats	12-bit raw data (By setting)
S/N ratio	48.5 dB
Power source (POC)/ Typical	DC 6~12V/ 6V
Startup time of power in	Within 200ms
Frame rate	30 fps (By setting)
Serializer	TI953
Operating temperature	-40 $^{\circ}$ C ~ +85 $^{\circ}$ C
Storage temperature	-40 $^{\circ}$ C ~ +95 $^{\circ}$ C

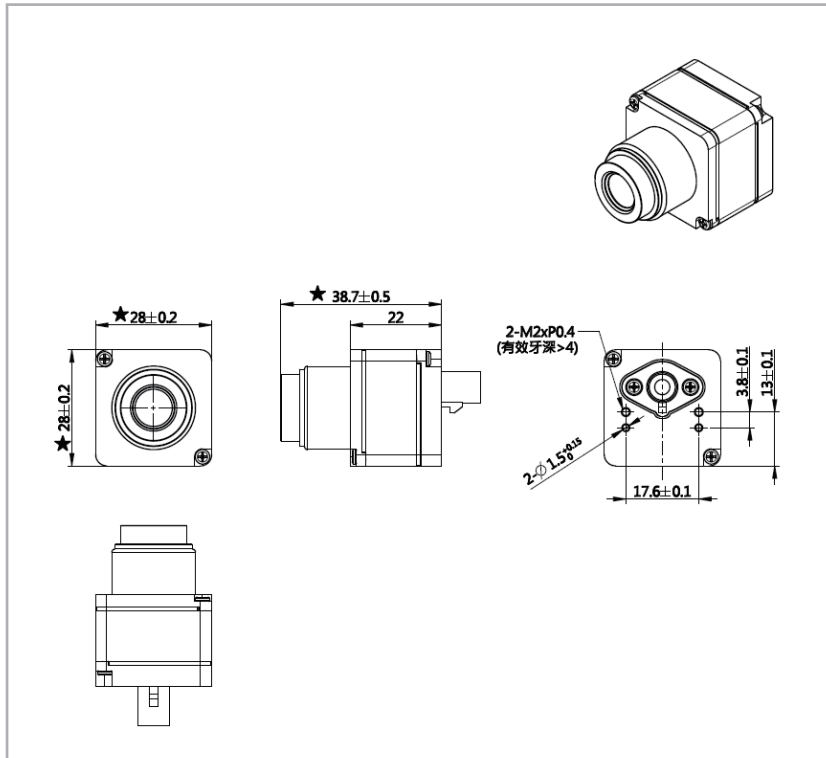
## • Product Specifications (by models)

Item	oToCAM264-N73T	oToCAM220-C103T
View angle(H)	73°	103°
Lens F No.	F1.7	F2.0
IR cut edge	650nm	650nm
DOF/ Object distance	1.3M~inf.@Inf.	1.0M~inf.@inf.
Resolution	SFR Center $\geq 50\%$ , Corner $\geq 30\%$ @83lp/mm	SFR Center $\geq 60\%$ , Corner $\geq 48\%$ @83lp/mm
Connector	Amphenol SMB1251Y3-002-TT5GP-50	Goldenconn Electronic Technology Co., Ltd. 1FABN24F01PNTV00
Dust/ Waterproof	N/A (Lens no waterproof design)	IP67/ IP69K
Dimensions	28*28*38.7 mm (exclude FAKRA connector)	28*28*31.9 mm (exclude FAKRA connector)
Weight	39.5g	28.8g

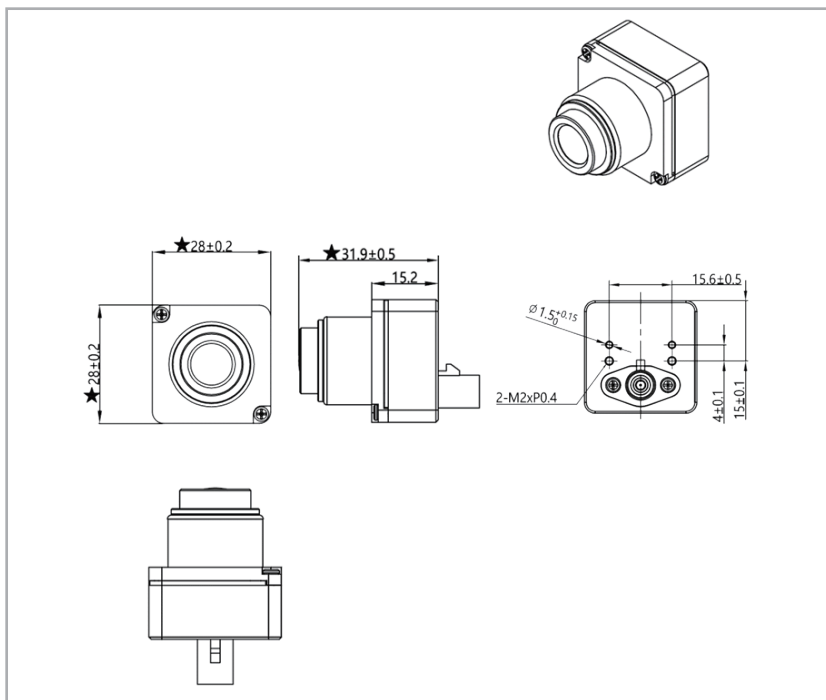
Item	oToCAM264-C120T	oToCAM264-N186T
View angle(H)	120°	186
Lens F No.	F1.4	F2.4
IR cut edge	650nm	650nm
DOF/ Object distance	1.0M~inf.@Inf.	0.2M~inf.@50cm
Resolution	SFR Center $\geq 50\%$ , Corner $\geq 40\%$ @83lp/mm	TV line Center $\geq 600$ , Corner $\geq 500$
Connector	Amphenol SMB1251Y3-002-TT5GP-50	Amphenol SMB1251Y3-002-TT5GP-50
Dust/ Waterproof	IP67/ IP69K	IP67 (Lens only has IP67)
Dimensions	28*28*39 mm (exclude FAKRA connector)	28*28*44 mm (exclude FAKRA connector)
Weight	35.3g	41g

# Outline Drawing

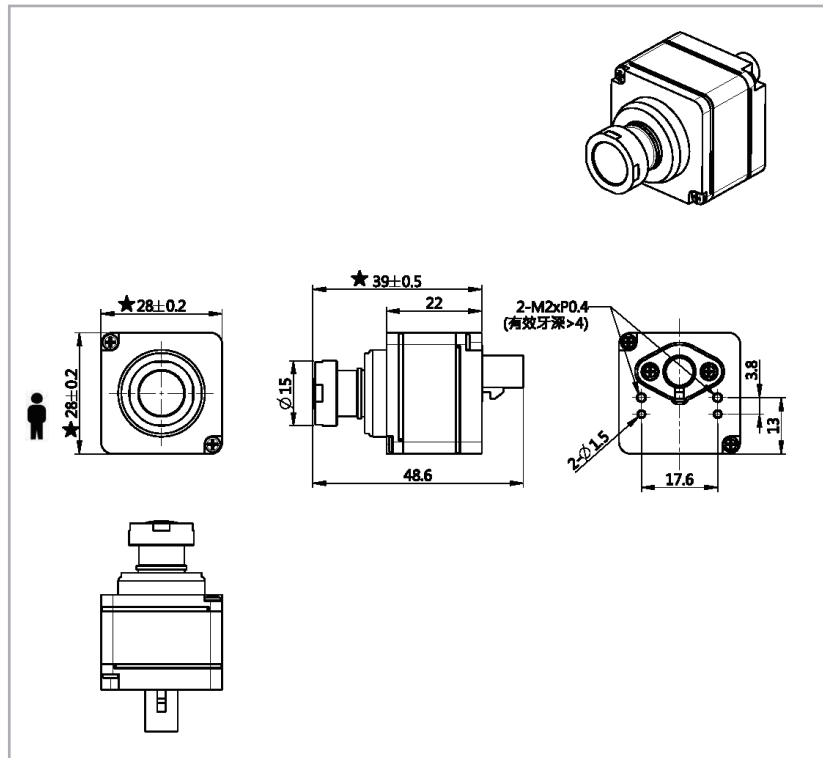
- oToCAM264-N73T Mechanical Dimensions



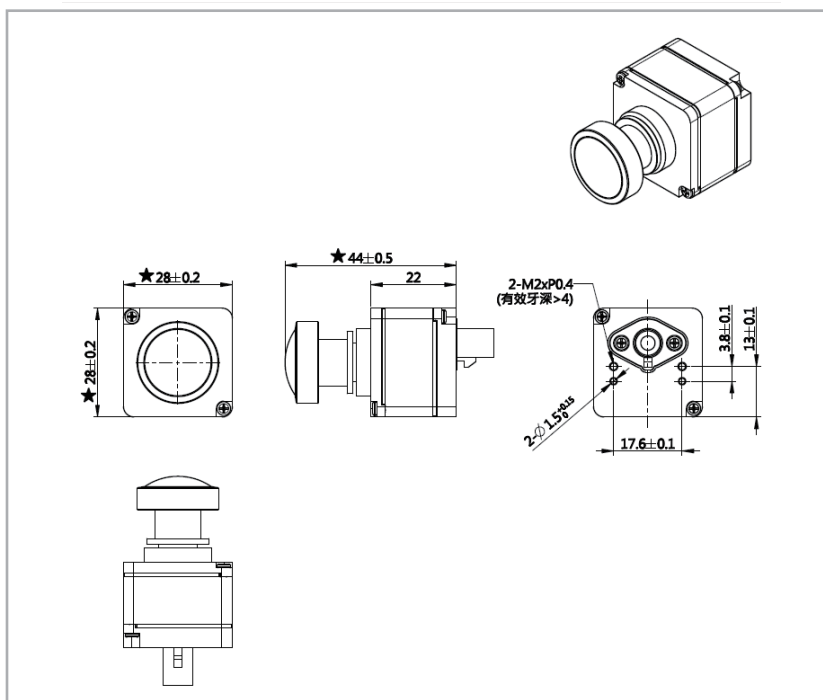
- oToCAM220-C103T Mechanical Dimensions



• oToCAM264-C120T Mechanical Dimensions



• oToCAM264-N186T Mechanical Dimensions



*driving easier and safer*



6F, No.18, Prosperity Rd.II, Science-Based Industrial Park,  
Hsinchu, Taiwan, R.O.C

| +886-(0)3-666-7968

| sales@otobrite.com

| www.otobrite.com