

oToBrite



Automotive Camera



oToCAM274ISP-M (IMX623)

Overview

The oToCAM274ISP-H100M / oToCAM274ISP-S195M is an automotive grade camera for the application of autonomous driving system. It uses high sensitive CMOS sensor to perform good image quality for the detection purpose of the system product.



oToCAM274ISP-H100M



oToCAM274ISP-S195M

Specifications

• General Specifications

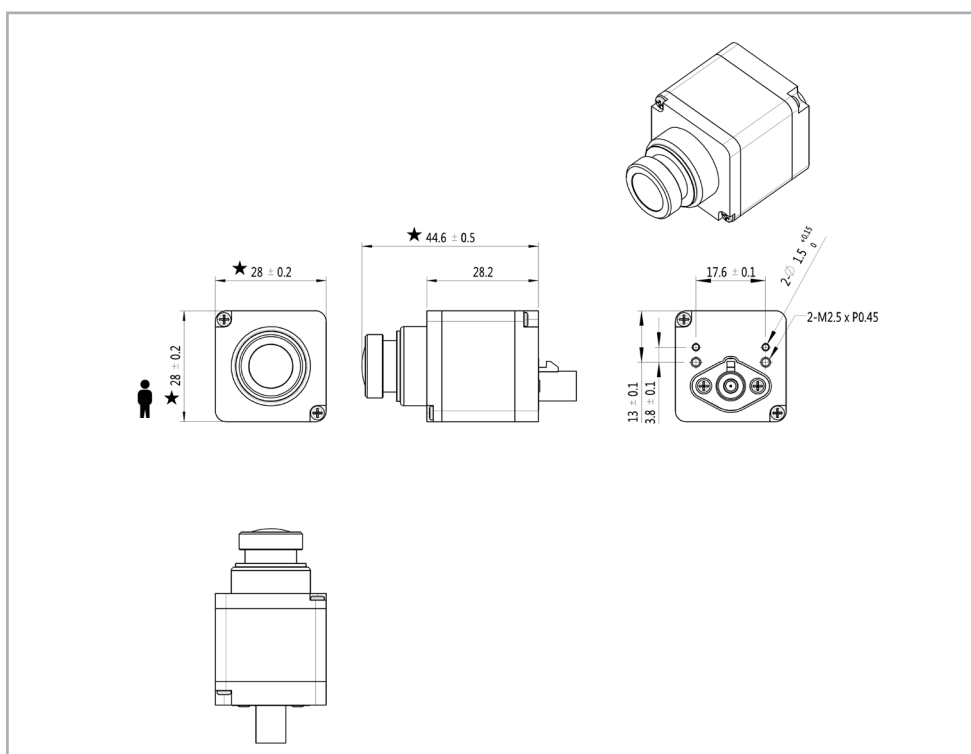
Item	Specifications
Image sensor	CMOS (Sony IMX623)
HDR	Supported
LFM	Supported
Optical format	1/2.42
Pixel size	3.0um x 3.0um
ISP chip	IND88000
Camera number of pixels	3M (1920(H) x 1536(V))
Resolution	1920 x 1536
Color filter array	Bayer (RGGB)
Output Interface	GMSL2 with POC
Output Formats	Fine Tuned YCbCr422 8bit data
S/N ratio	51.26 dB
Power source (POC)/Typical	9V~17V
Startup time of power in	Within 2000ms
Frame rate	25 fps
Serializer	MAX9295A
Camera Current Consumption	≤ 210 mA @ 12V
Operating Temperature	-40°C ~ +85°C
Storage temperature Range	-40°C ~ +95°C
Waterproof	IP69K

• Product Specifications (by models)

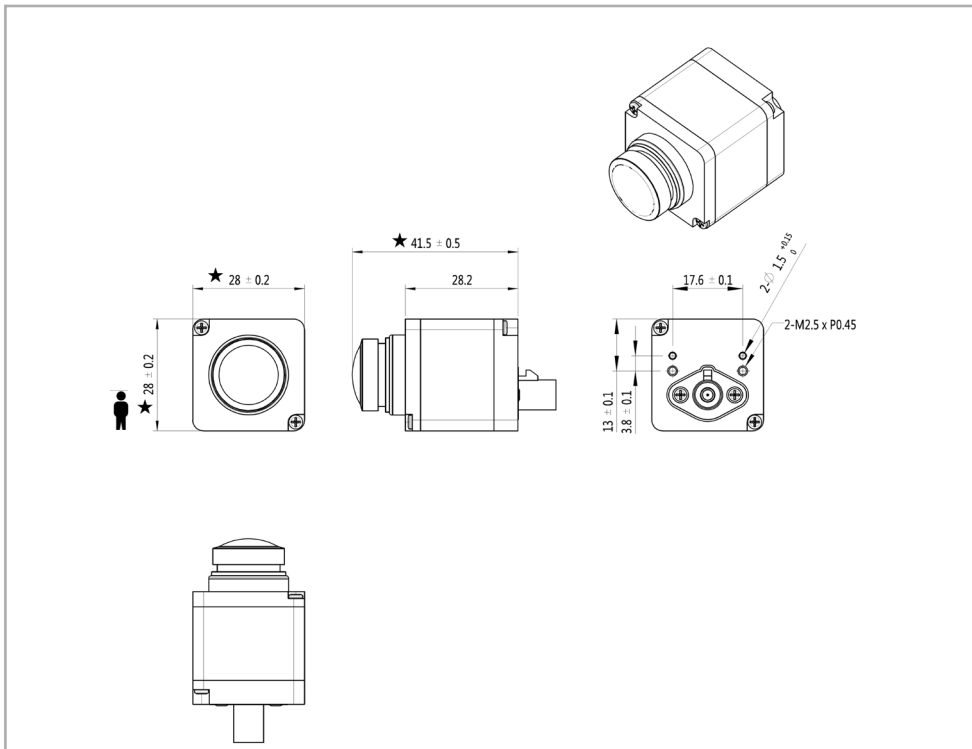
Item	oToCAM274ISP-H100M	oToCAM274ISP-S195M
View angle (H)	100°	195°
Lens F No.	1.8	2.0
IR cut edge	700nm	650nm
DOF/Object Distance	1M~Inf.	0.2M~Inf.
Dimensions	28 x 28 x 44.6 mm	28 x 28 x 41.5 mm
Weight	47.43 g	45.96 g

Outline Drawing

• oToCAM274ISP-H100M Mechanical Dimensions



• oToCAM274ISP-S195M Mechanical Dimensions



driving easier and safer



9F-2, No. 8, Keyan Rd., East Dist., Science-Based Industrial Park,
Hsinchu, Taiwan (R.O.C.)

| +886-(0)3-666-7968

| sales@otobrite.com

| www.otobrite.com