

Datasheet

oToBrite Electronics, Inc



oToCAM171

1. General Description

The oToCAM171 is an automotive grade camera for the application of autonomous driving and CMS. It uses high sensitive CMOS sensor to perform good image quality for the detection purpose of the system product.

2. Product specification

No.	Item	Specification
1	Image sensor	CMOS (ISX 019)
2	Number of pixels	Mega-pixel (1280x800)(default setting)
3	View angle(H/V)	HFOV : 89.3° ; VFOV: 57.2°
4	Resolution (Center)	TV Line \geq 500
5	Color filter array	RGGB
6	Output Interface	TVI/Differential
7	Lens F No.	F2.1
8	Operating Voltage (Typical)	12V
9	Frame rate	30 fps (default setting)
10	Exposure Control	Auto Exposure Control (internal AE)
11	Power Consumption	0.6W (TBD)
12	Operating Temperature	-40°C ~ +85°C
13	Dust & Waterproof	IP69K/IP67 (TBD)
14	Dimension(mm)	24 x 24 x 37 (exclude Cable connector)
15	Weight	26g

3. Outline Drawing

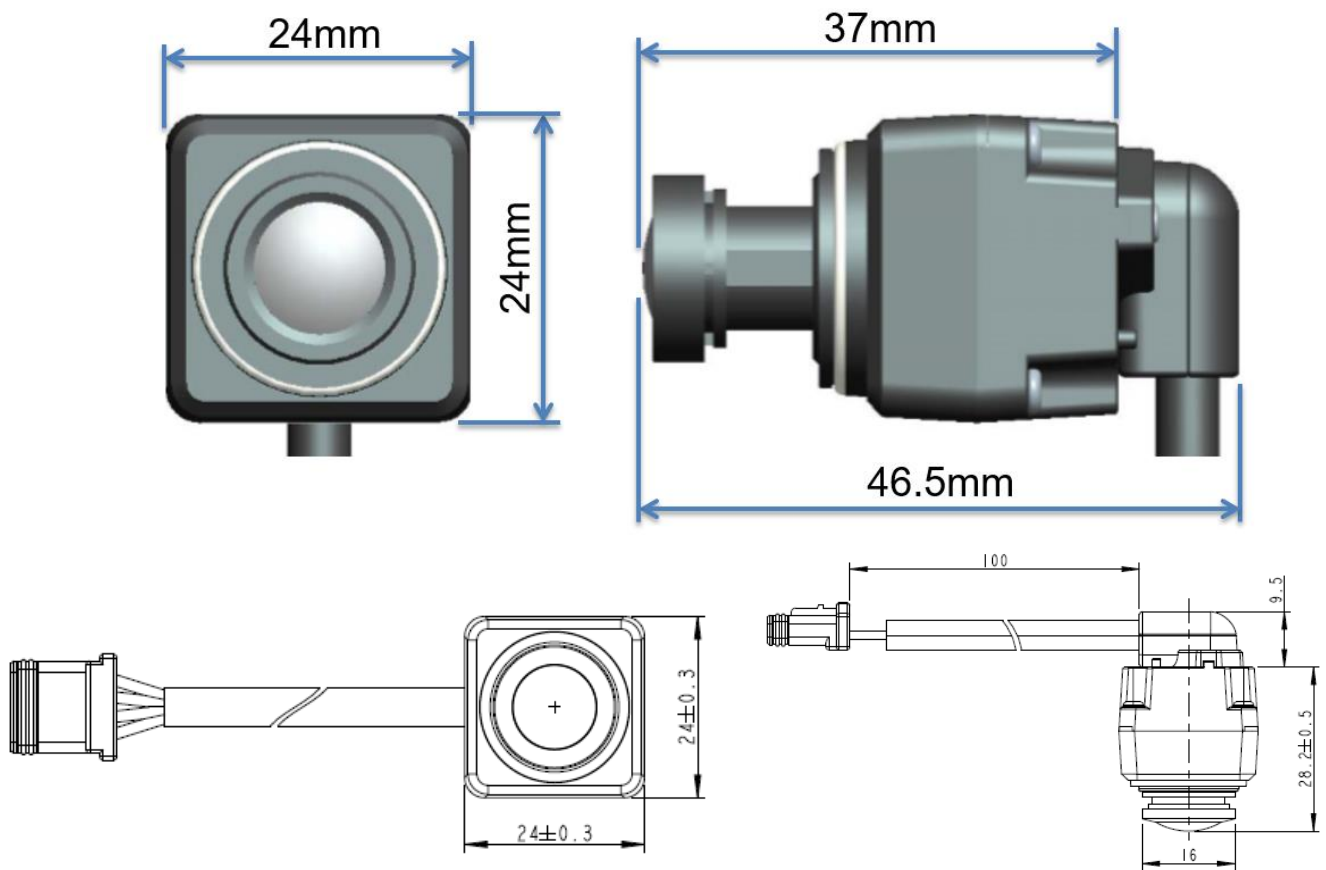


Figure 1. oToCAM171 Diagram (the bracket is optional and different for different car models)

4. Interface, Cables and Connectors (Male and Female)

4.1 Connectors of pigtail cable

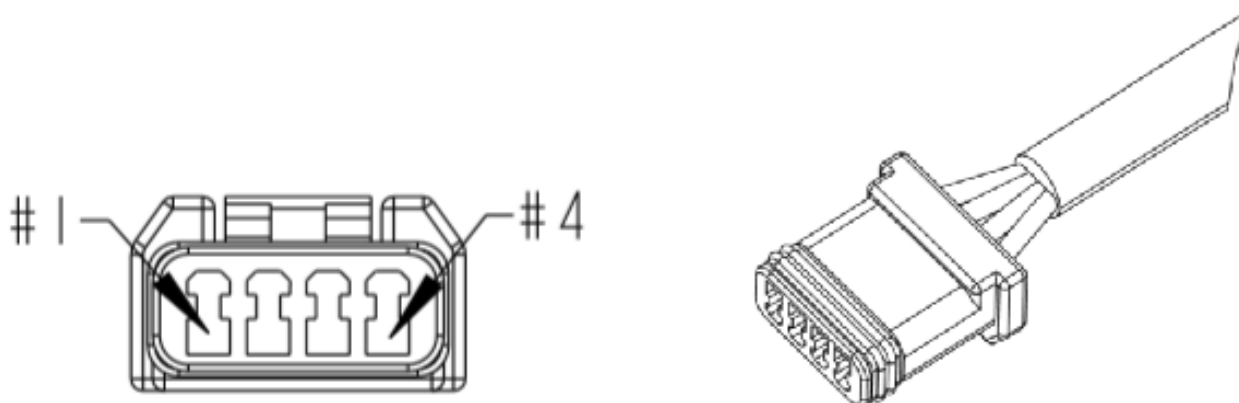


Figure 2. Shanghe MX04FB

4.2 Mating connector

Cable length: 100mm (+10/0_mm)

Connector type: Shanghe MX04MB

Pin definition:

Pin No.	Color	Pin Definition
PIN 1	Red	Power
PIN 2	Black	Power GND
PIN 3	White	Video +
PIN 4	Green	Video -