

Datasheet

oToBrite Electronics, Inc



oToCAM161

1. General Description

The oToCAM161 is an automotive grade camera, using high sensitive 1/4" CMOS sensor. The interface of the camera is TVI whose the signal output is analog but image resolution is up to HD. Due to the lens HFOV is over 180 degree, the camera is suitable for the application of reverse parking and around view monitoring system.

2. Product specification

No.	Item	Specification
1	Image sensor	CMOS (ISX 019)
2	Number of pixels	Mega-pixel (1280x800)(default setting)
3	View angle(H/V)	190.4° / 113.9°
4	Resolution(Center/Corner)	500 TV lines
5	Color filter array	RGGB
6	Output Interface	TVI/Differential
7	Lens F No.	F2.0
8	Operating Voltage (Typical)	12V
9	Frame rate	30 fps (default setting)
10	Exposure Control	Auto Exposure Control (internal AE)
11	Power Consumption	0.6W
12	Operating Temperature	-40°C ~ +85°C
13	Dust & Waterproof	IP69K/IP67
14	Dimension(mm)	24 x 24 x 28.6 (w/o Bracket)
15	Weight	TBD

3. Outline Drawing

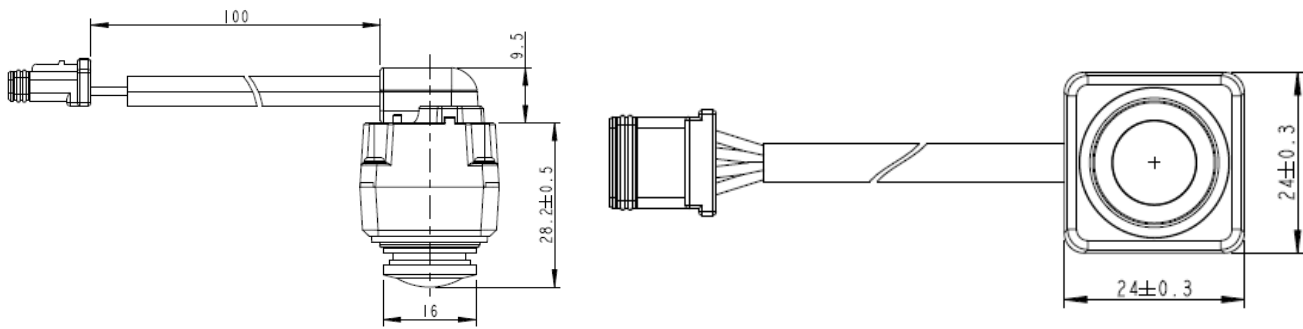


Figure 1. oToCAM161 Diagram

4. Cables and Connectors (Male and Female)

4.1 Connector

Shanghe(上河) connector MX04FB; Counterpart MX04MB

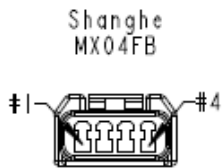


Figure 2A.

4.2 Pin definition

Notes:

1. Mating connector: Shanghe MX04MB
2. PIN assignment:

PIN	COLOR	PIN DEF.
PIN 1	RED	POWER
PIN 2	BLACK	POWER GND
PIN 3	WHITE	VIDEO +
PIN 4	GREEN	VIDEO -

Figure 2B. Pin Definition