

# Datasheet

**oToBrite Electronics, Inc**



**oToCAM264ISP-H61T**



## 1. General Description

The oToCAM264ISP-H61T is an automotive grade camera for the application of autonomous driving and CMS. It uses high sensitive CMOS sensor to perform good image quality for the detection purpose of the system product.

## 2. Product specification

| No. | Item                       | Specification   |
|-----|----------------------------|---|
| 1   | Image Sensor               | CMOS (Sony IMX 390)   |
| 2   | Optical Format             | 1/2.7"  |
| 3   | Pixel Size                 | 3.0 $\mu$ m (H) $\times$ 3.0 $\mu$ m (V)  |
| 4   | ISP Chip                   | GW5200  |
| 5   | Camera Output Pixel Number | 2M (1920 (H) $\times$ 1080 (V))   |
| 6   | View Angle(H)              | 63.9°   |
| 7   | Resolution                 | TBD   |
| 8   | Color Filter Array         | RGGB  |
| 9   | Output Interface           | FPD-Link III with POC   |
| 10  | Output Formats             | MIPI 4lane YUV422 8bits   |
| 11  | S/N Ratio                  | 48.5 dB   |
| 12  | Lens Structure             | 6G+IR   |
| 13  | Lens F No.                 | F1.6  |
| 14  | Power Source (POC)/Typical | DC 9~12V/9V   |
| 15  | Startup Time Of Power In   | Within 1500ms   |
| 16  | Frame Rate                 | 30 fps (By setting)   |
| 17  | Serializer                 | TI953   |
| 18  | Camera Current Consumption | $\leq$ 158mA @12V/ 25°C   |
| 19  | Operating Temperature      | -40°C ~ +85°C   |
| 20  | Storage Temperature Range  | -40°C ~ +95°C   |
| 21  | Waterproof                 | IP67/IP69K  |
| 22  | Dimension                  | 28*28*44.2 mm<br>(exclude Fakra connector)  |
| 23  | Weight                     | 38g   |
| 24  | Product Lead Time          | Sample: 1 month after getting firm order<br>SOP: 1 months after getting firm order (assumption:<br>customer has released 6 months rolling forecast) |

### 3. Outline Drawing

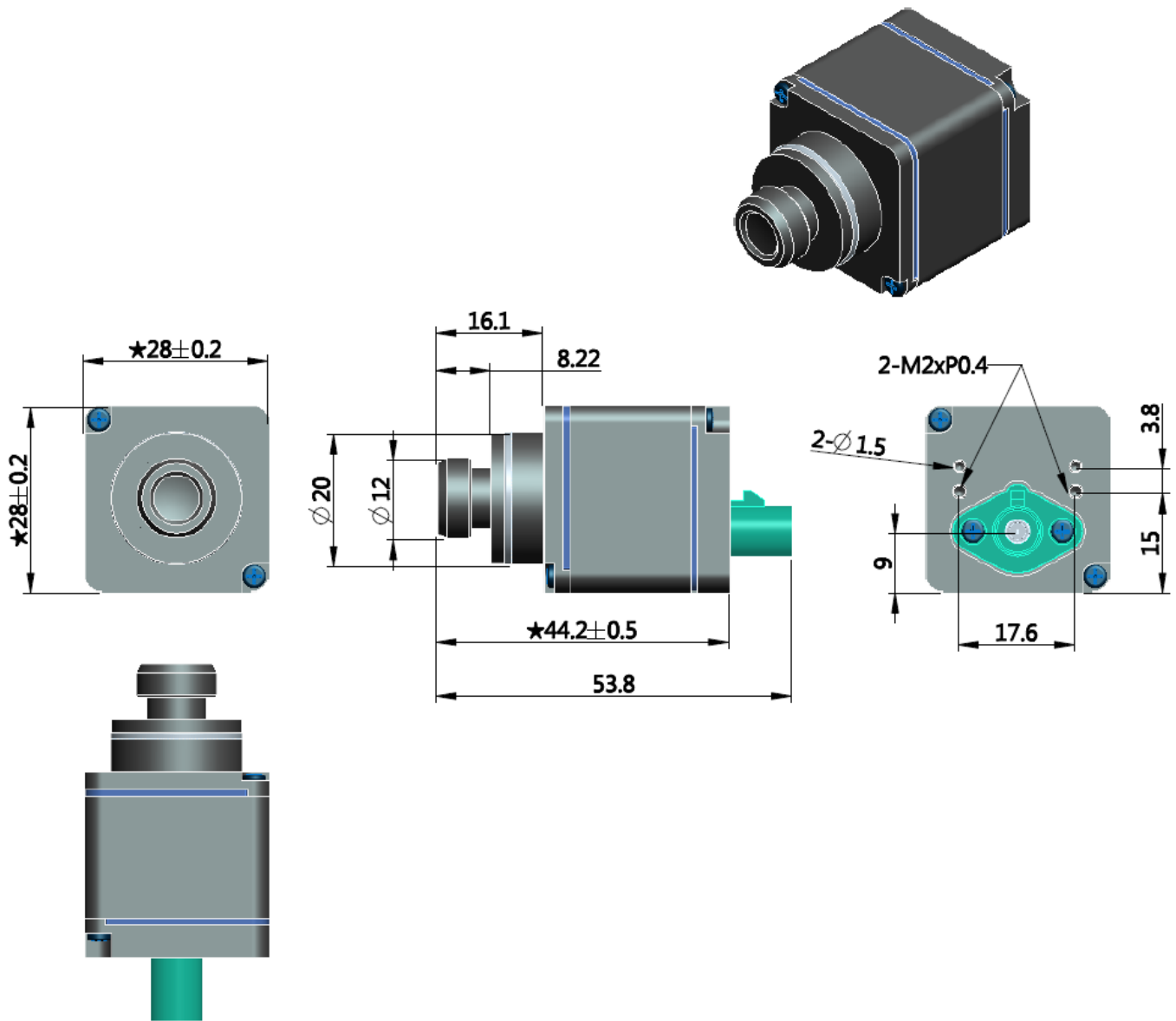


Figure 1. oToCAM264ISP-H61T Diagram

## 4. Counterpart Connector

### 4.1 Connector: Amphenol SMB1251Y3-002-TT5GP-50

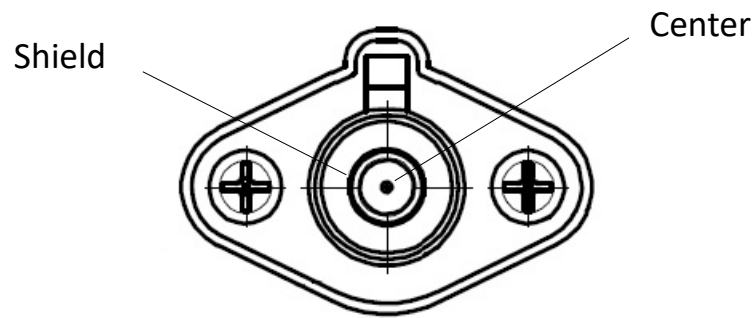


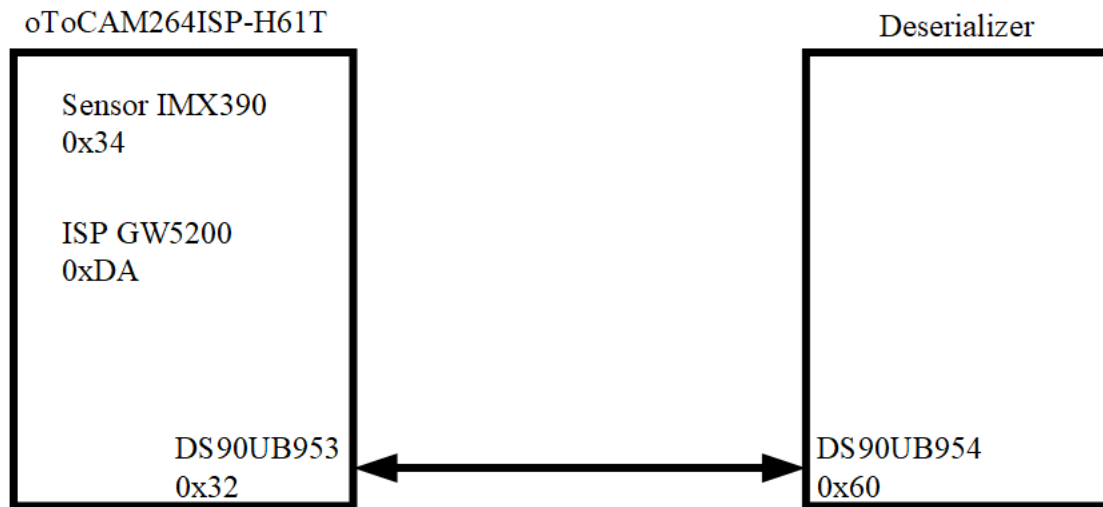
Figure 2. Amphenol SMB1251Y3-002-TT5GP-50

### 4.2 Pin definition:

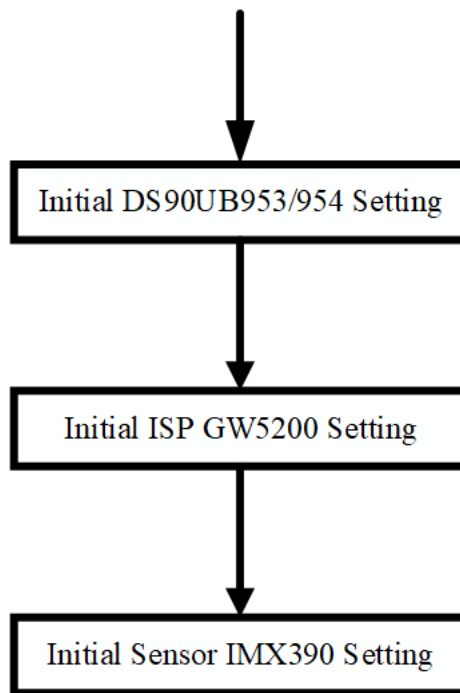
| Pin No. | Signal Name | Operation Voltage and Current |
|---------|-------------|-------------------------------|
| Center  | DOUT        | Min. 0.52V, Max. 0.67V        |
|         | PWR         | Typ. 213mA @9V / 25°C         |
| Shield  | Shield GND  |                               |

## 5. Applications

### 5.1 I2C ID Address



### 5.2 Initialization



### 5.3 Deserializer (DS90UB954) Settings

(The registers file will be provided under NDA and/or samples purchased)

## 6. System Configuration (TBD)

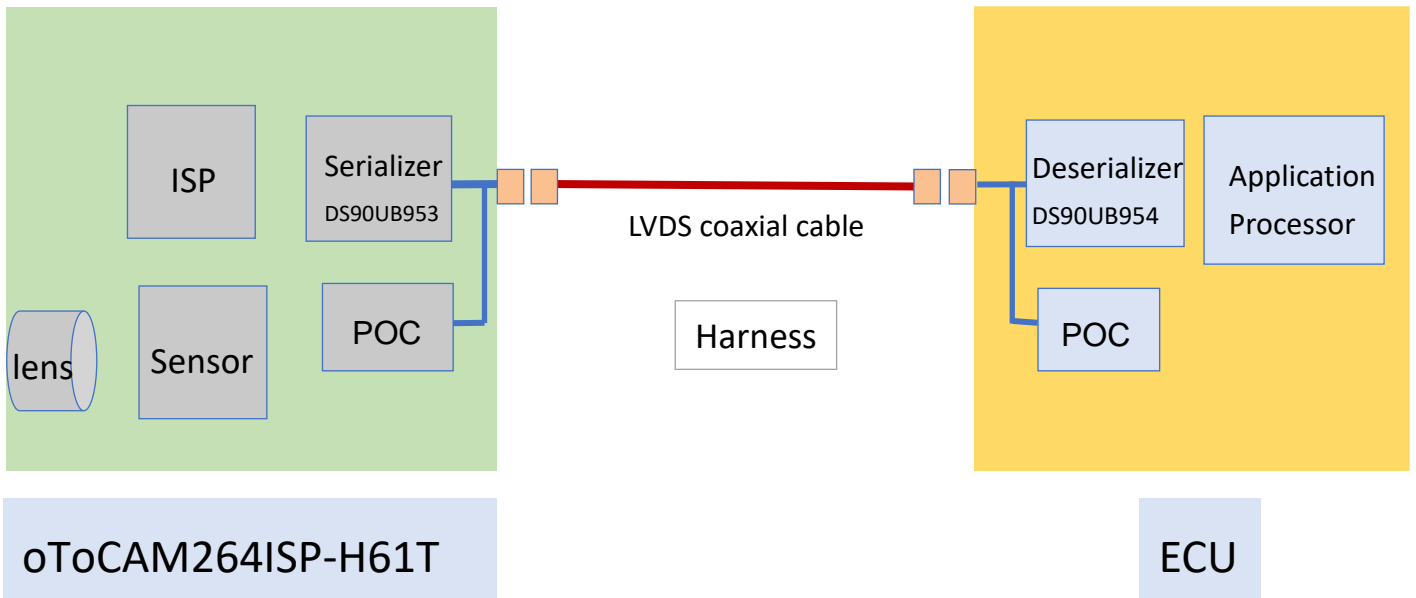


Figure 3. System Configuration

TI954 must be used as de-serializer in ECU for connecting oToCAM264ISP-H61T.