

# Datasheet

**oToBrite Electronics, Inc**



**oToCAM264ISP-C103T**



## 1. General Description

The oToCAM264ISP-C103T is an automotive grade camera for the application of autonomous driving and CMS. It uses high sensitive CMOS sensor to perform good image quality for the detection purpose of the system product.

## 2. Product specification

No.	Item	Specification
1	Image Sensor	CMOS (Sony IMX 390)
2	Optical Format	1/2.7"
3	Pixel Size	3.0 $\mu$ m (H) $\times$ 3.0 $\mu$ m (V)
4	ISP Chip	GW5200
5	Camera Output Pixel Number	2M (1920 (H) $\times$ 1080 (V))
6	View Angle(H)	103 $^{\circ}$
7	Resolution	TBD
8	Color Filter Array	RGGB
9	Output Interface	FPD-Link III with POC
10	Output Formats	MIPI 4lane YUV422 8bits
11	S/N Ratio	48.5 dB
12	Lens Structure	6G+IR
13	Lens F No.	F2.0
14	Power Source (POC)/Typical	DC 9~12V/9V
15	Startup Time Of Power In	Within 1500ms
16	Frame Rate	30 fps (By setting)
17	Serializer	TI953
18	Camera Current Consumption	$\leq$ 158mA @12V/ 25 $^{\circ}$ C
19	Operating Temperature	-40 $^{\circ}$ C ~ +85 $^{\circ}$ C
20	Storage Temperature Range	-40 $^{\circ}$ C ~ +95 $^{\circ}$ C
21	Waterproof	IP67/IP69K
22	Dimension	28*28*44.6 mm (exclude Fakra connector)
23	Weight	47.5g
24	Product Lead Time	Sample: 1 month after getting firm order SOP: 1 months after getting firm order (assumption: customer has released 6 months rolling forecast)

### 3. Outline Drawing

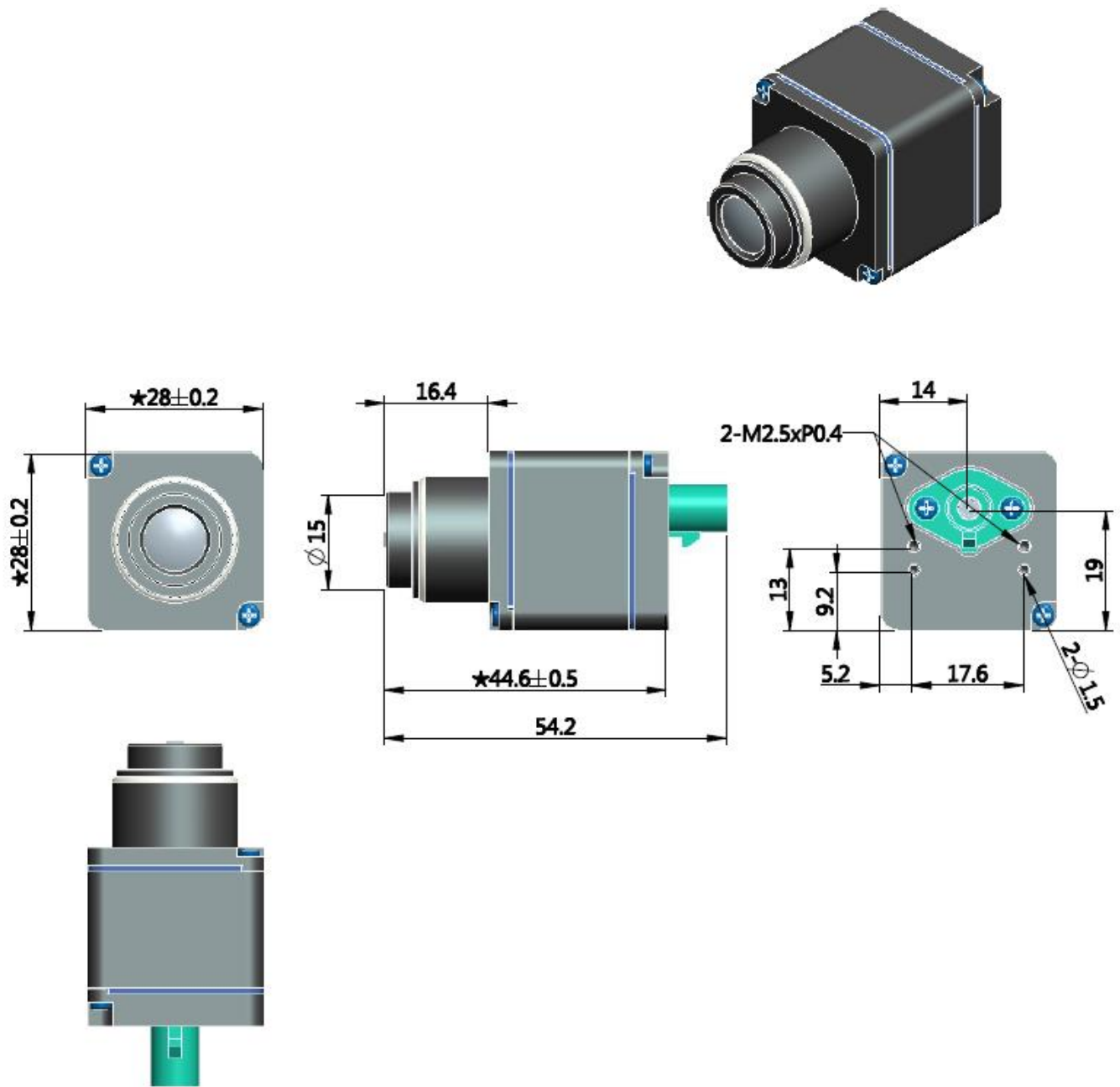


Figure 1. oToCAM264ISP-C103T Diagram

## 4. Counterpart Connector

### 4.1 Connector: Amphenol SMB1251Y3-002-TT5GP-50

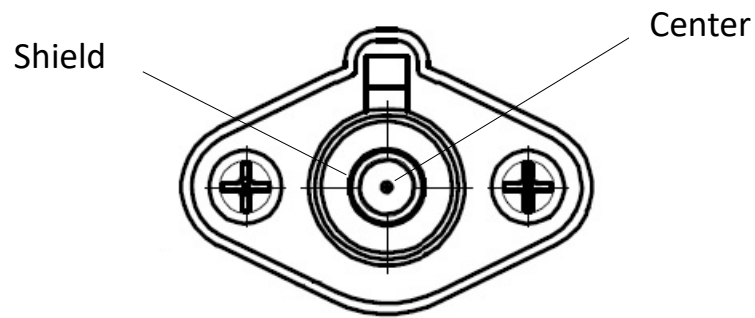


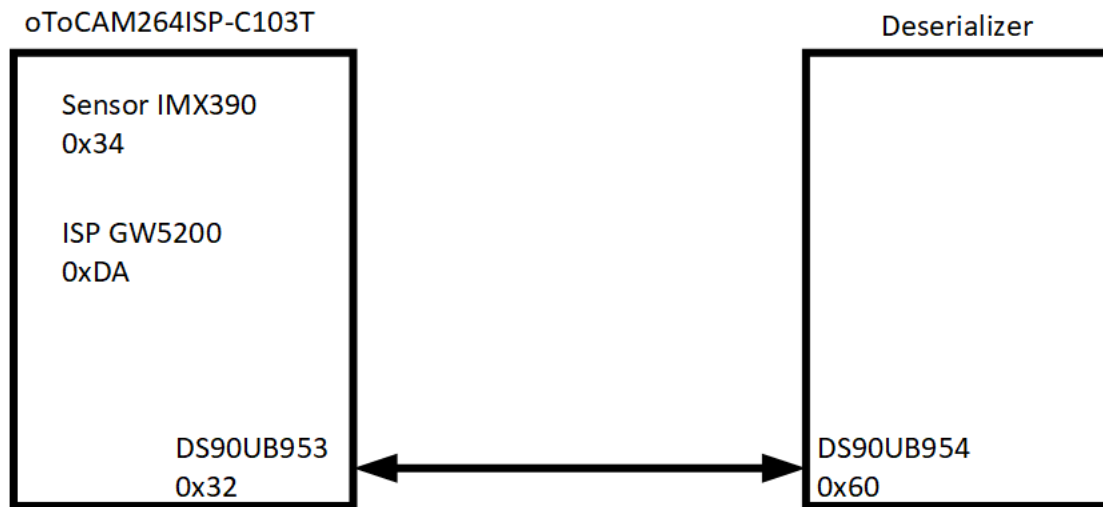
Figure 2. Amphenol SMB1251Y3-002-TT5GP-50

### 4.2 Pin definition:

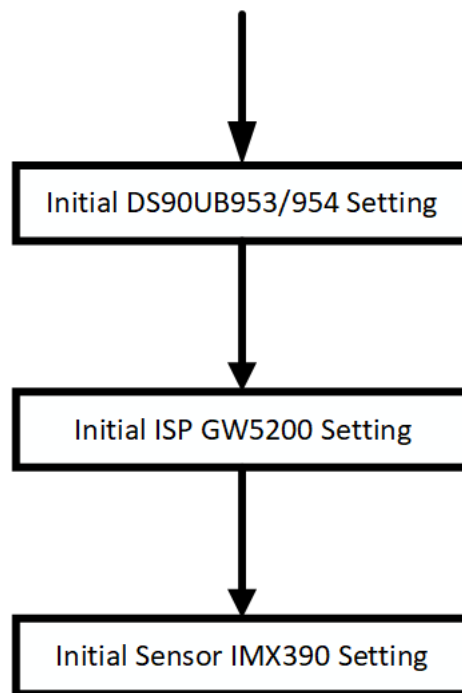
Pin No.	Signal Name	Operation Voltage and Current
Center	DOUT	Min. 0.52V, Max. 0.67V
	PWR	Typ. 213mA @9V / 25°C
Shield	Shield GND	

## 5. Applications

### 5.1 I2C ID Address



### 5.2 Initialization



### 5.3 Deserializer (DS90UB954) Settings

(The registers file will be provided under NDA and/or samples purchased)

## 6. System Configuration (TBD)

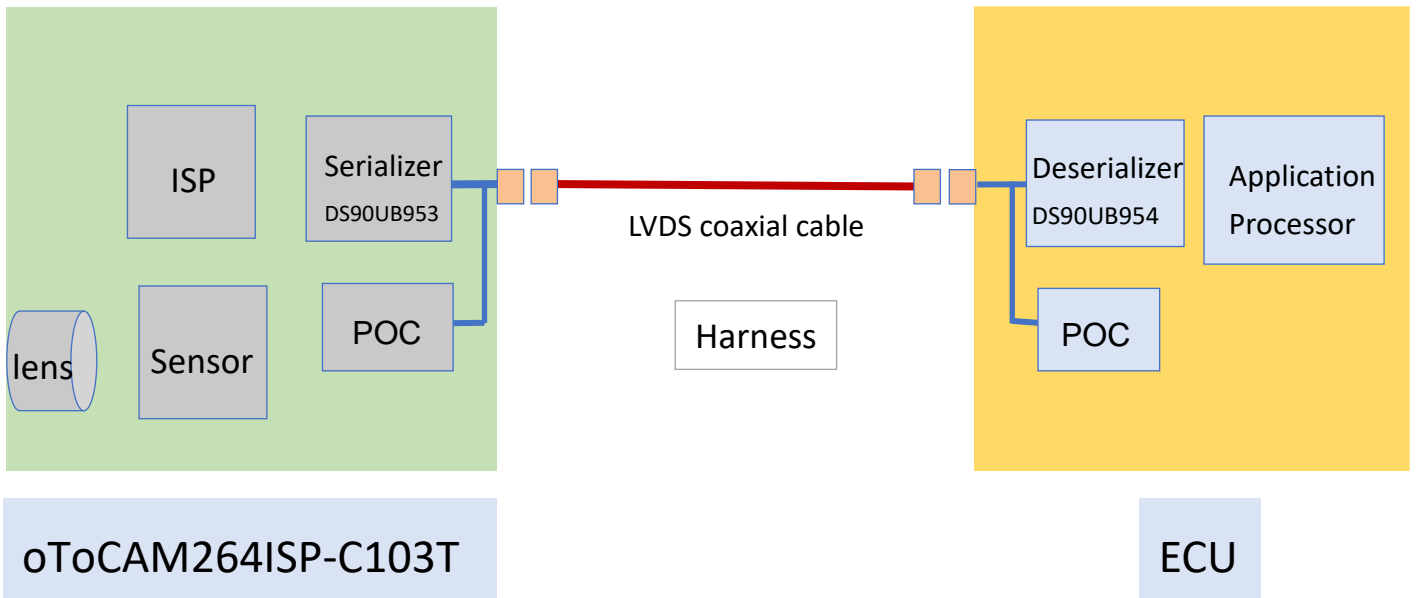


Figure 3. System Configuration

TI954 must be used as de-serializer in ECU for connecting oToCAM264ISP-C103T.